

THIS DOCUMENT HAS BEEN DIGITALLY SIGNED AND SEALED BY:

**Daniel McGaha** Digitally signed by Daniel McGaha  
Date: 2026.02.06 08:54:44-06'00'

PRINTED COPIES OF THIS DOCUMENT ARE NOT CONSIDERED SIGNED AND SEALED. THE SIGNATURE MUST BE VERIFIED ON THE ELECTRONIC DOCUMENTS.

HDR ENGINEERING, INC.  
120 BRENTWOOD COMMONS WAY  
SUITE 525  
BRENTWOOD, TN 37027  
DANIEL K. MCGAHA, P.E. NO. 108037

THE ABOVE NAMED PROFESSIONAL ENGINEER SHALL BE RESPONSIBLE FOR THE FOLLOWING SHEETS IN ACCORDANCE OF TENN. CODE ANN. §62-2-306.

SHEET NAME	SHEET NO.
SIGNATURE SHEET .....	ROADWAY-SIGN1
TITLE SHEET .....	1
ROADWAY INDEX, STANDARD ROADWAY DRAWINGS AND STANDARD TRAFFIC DESIGN DRAWINGS .....	1A
ESTIMATED ROADWAY QUANTITIES .....	2
TYPICAL SECTIONS AND PAVEMENT SCHEDULE .....	2B
GENERAL NOTES.....	2C
SPECIAL NOTES.....	2D
ENVIRONMENTAL NOTES.....	2E
TABULATED QUANTITIES .....	2F
UTILITY NOTES AND UTILITY OWNERS.....	3
PAVEMENT EDGE DROP-OFF NOTES FOR TRAFFIC CONTROL.....	T1

YEAR	PROJECT NO.	SHEET NO.
2026	STP-291(11)	ROADWAY-SIGN 1

**STATE OF TENNESSEE  
DEPARTMENT OF TRANSPORTATION**

**SIGNATURE  
SHEET**

Index Of Sheets  
SEE SHEET NO. 1A

# STATE OF TENNESSEE DEPARTMENT OF TRANSPORTATION BUREAU OF ENGINEERING

## PUTNAM COUNTY

STATE ROUTE 291  
FROM SR-24  
TO SR-56

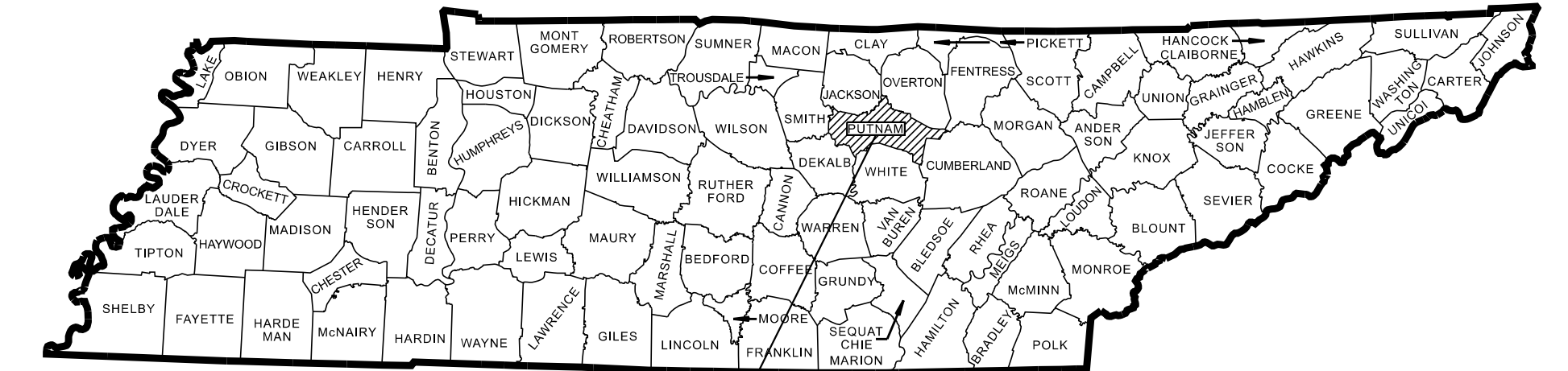
RESURFACING

MILL, TLD @ 132.5 LB/SY, AND PAVEMENT MARKINGS

STATE HIGHWAY NO. 291 F.A.H.S. NO. N/A

DOES THIS PROJECT QUALIFY FOR UTILITY CHAPTER 86	YES	NO X
WORK ZONE SIGNIFICANCE DETERMINATION		
SIGNIFICANT	YES	NO X

TENN.	YEAR	SHEET NO.
	2026	1
FED. AID PROJ. NO.	STP-291(11)	
STATE PROJ. NO.	71S291-F8-002	
STATE PROJ. NO.		



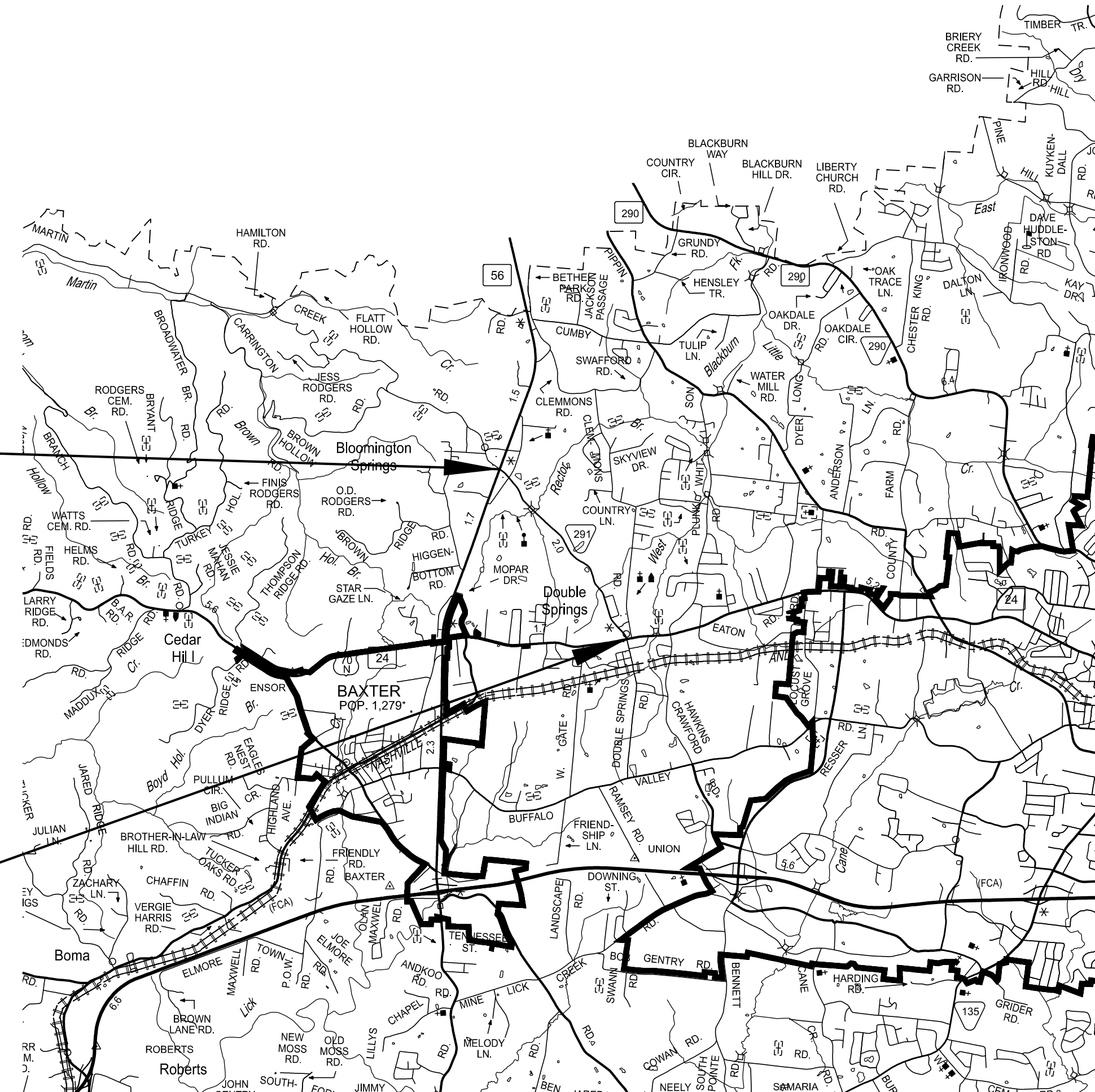
PROJECT LOCATION  
BRIDGE ID. # 71SR2910001

NO EXCLUSIONS



71S291-F8-002  
END PROJECT NO. STP-291(11) RESURFACING  
SR-56 (L.M. 2.00)

71S291-F8-002  
BEGIN PROJECT NO. STP-291(11) RESURFACING  
SR-24 (L.M. 0.00)



SCALE: 1"= 1 MILE

PROJECT LENGTH 2.00 MILES  
TOTAL LANE MILES RESURFACED 4.00 MILES

### SPECIAL NOTES

PROPOSALS MAY BE REJECTED BY THE COMMISSIONER IF ANY OF THE UNIT PRICES CONTAINED THEREIN ARE OBVIOUSLY UNBALANCED, EITHER EXCESSIVE OR BELOW THE REASONABLE COST ANALYSIS VALUE.

THIS PROJECT TO BE CONSTRUCTED UNDER THE STANDARD SPECIFICATIONS OF THE TENNESSEE DEPARTMENT OF TRANSPORTATION DATED JANUARY 1, 2021 AND ADDITIONAL SPECIFICATIONS AND SPECIAL PROVISIONS CONTAINED IN THE PLANS AND IN THE PROPOSAL CONTRACT.

TDOT PROJECT MANAGER: ALLEN PETERFREUND, P.E.

DESIGN FIRM : HDR ENGINEERING, INC.

DESIGNER : DANIEL K. MCGAHA, P.E. CHECKED BY BEN KAUSS, P.E.

P.E. NO. 98023-4217-04 (DESIGN)

PIN NO. 136232.00

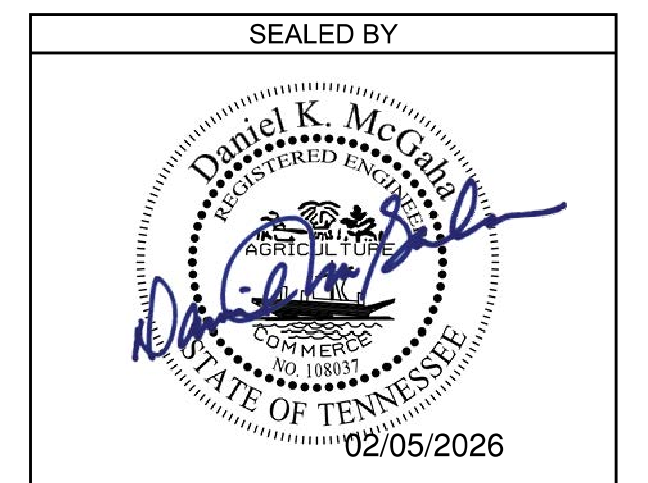
### TRAFFIC COUNTER & WEATHER STATIONS

STATION LOCATION	LOG MILE
TCS 18	0.321

### TRAFFIC DATA

ADT (2026)	1,490
POSTED SPEED L.M. 0.00 - L.M. 2.00	45 MPH

SEALED BY



APPROVED:   
SHANE HESTER, CHIEF ENGINEER

DATE:

APPROVED:   
WILL REID, COMMISSIONER

# ROADWAY INDEX

SHEET NAME	SHEET NO.
SIGNATURE SHEETS.....	ROADWAY-SIGN1
TITLE SHEET .....	1
ROADWAY INDEX, STANDARD ROADWAY DRAWINGS, AND STANDARD TRAFFIC DESIGN DRAWINGS .....	1A
ESTIMATED ROADWAY QUANTITIES .....	2
TYPICAL SECTIONS AND PAVEMENT SCHEDULE .....	2B
GENERAL NOTES.....	2C
SPECIAL NOTES.....	2D
ENVIRONMENTAL NOTES.....	2E
TABULATED QUANTITIES .....	2F
UTILITY NOTES, AND UTILITY OWNERS.....	3
PAVEMENT EDGE DROP-OFF NOTES FOR TRAFFIC CONTROL .....	T1

NO UTILITY SHEETS ARE INCLUDED IN THIS SET OF PLANS.

NO PROJECT COMMITMENTS ARE INCLUDED IN THIS SET OF PLANS.

# STANDARD ROADWAY DRAWINGS

DWG.	REV.	DESCRIPTION
<b>10-100.00 STANDARD ROADWAY TITLE SHEET, ABBREVIATIONS, AND LEGENDS</b>		
RD-TP-1	10-01-24	STANDARD ROADWAY DRAWINGS TITLE SHEET
RD-A-1	02-20-20	STANDARD ABBREVIATIONS A THROUGH L
RD-A-2		STANDARD ABBREVIATIONS M THROUGH Z
RD-L-1	02-20-20	STANDARD LEGEND
RD-L-1A		STANDARD LEGEND

# STANDARD TRAFFIC DESIGN DRAWINGS

DWG.	REV.	DESCRIPTION
<b>10-200.00 SIGN</b>		
T-S-9	07-30-25	STANDARD LAYOUT - GROUND MOUNTED SIGNS
T-S-16	07-30-25	GROUND MOUNTED ROADSIDE SIGN PLACEMENT DETAILS
T-S-19	07-30-25	STANDARD STEEL SIGN SUPPORTS
T-S-20	07-30-25	SIGN DETAILS
<b>10-204.00 DESIGN - TRAFFIC CONTROL</b>		
T-M-1	01-24-25	DETAILS OF PAVEMENT MARKINGS FOR CONVENTIONAL ROADS AND MARKING ABBREVIATIONS
T-M-4	01-24-25	STANDARD INTERSECTION PAVEMENT MARKINGS
T-WZ-10	03-26-25	ADVANCE ROAD WORK SIGNING ON HIGHWAYS AND FREEWAYS

TYPE	YEAR	PROJECT NO.	SHEET NO.
RESURF	2026	STP-291(11)	1A

SEALED BY



STATE OF TENNESSEE  
DEPARTMENT OF TRANSPORTATION

ROADWAY INDEX,  
STANDARD ROADWAY  
DRAWINGS AND  
STANDARD TRAFFIC  
DESIGN DRAWINGS

**ESTIMATED ROADWAY QUANTITIES**

ITEM NO.	DESCRIPTION	UNIT	QUANTITY
			71S291-F8-002
(1)(2)	208-01.05 BROOMING & DEGRASSING SHOULDERS	L.M.	4
(1)	303-01 MINERAL AGGREGATE, TYPE A BASE, GRADING D	TON	125
(1)	307-01.08 ASPHALT CONCRETE MIX (PG64-22) (BPMB-HM) GRADING B-M2	TON	100
(3)	403-02.01 TRACKLESS TACK COAT	TON	13
(4)(5)	411-01.21 LONGITUDINAL JOINT SEALANT	L.M.	2
(6)	411-03.12 ACS MIX(PG64-22) THIN LIFT D ASPHALT	TON	1616
(7)	415-01.01 COLD PLANING BITUMINOUS PAVEMENT	TON	1698
(8)	705-04.22 GUARDRAIL DELINEATION ENHANCEMENT (BI-DIRECTIONAL)	EACH	59
(9)	712-01 TRAFFIC CONTROL	LS	1
	712-04.01 FLEXIBLE DRUMS (CHANNELIZING)	EACH	8
(10)	712-06 SIGNS (CONSTRUCTION)	S.F.	1070
	713-16.01 CHANGEABLE MESSAGE SIGN UNIT	EACH	2
(11)	713-16.20 SIGNS (W3-1 STOP AHEAD, 36"X36")	EACH	1
	716-01.21 SNOWPLOWABLE RAISED PAVEMENT MARKERS (BI-DIR) (1 COLOR)	EACH	132
(12)	716-01.30 REMOVAL OF SNOWPLOWABLE REFLECTIVE MARKER	EACH	132
(13)(14)(15)	716-02.05 PLASTIC PAVEMENT MARKING (STOP LINE)	L.F.	151
(14)(15)	716-03.03 PLASTIC WORD PAVEMENT MARKING (STOP AHEAD)	EACH	2
(14)(15)	716-03.07 PLASTIC WORD PAVEMENT MARKING (STOP)	EACH	1
(14)(15)(16)	716-04.16 PLASTIC PAVEMENT MARKING (NOISE STRIP)	L.F.	120
(17)	716-05.01 PAINTED PAVEMENT MARKING (4" LINE)	L.M.	8
(15)	716-12.02 ENHANCED FLATLINE THERMO PAVT MRKNG (6IN LINE)	L.M.	8
(18)	716-12.05 ENHANCED FLATLINE THERMO PAVT MRKNG (6IN DOTTED LINE)	L.F.	43
	717-01 MOBILIZATION	LS	1

THERE ARE NO GUARDRAIL ADJUSTMENTS WITHIN PROJECT LIMITS

**FOOTNOTES**

- (1) TO BE USED AS DIRECTED BY THE ENGINEER.
- (2) SEE SHEET 2C, PAVEMENT MARKINGS, FINAL PAVEMENT MARKING NOTE 6.
- (3) INCLUDES 1 TON FOR DRIVEWAYS, CITY STREETS, COUNTY ROADS, FIELD ENTRANCES AND BUSINESS ENTRANCES.
- (4) USE CRAFCO PAVEMENT JOINT ADHESIVE #34524 OR PAVON JOINT ADHESIVE BY PAVON CORPORATION.
- (5) THE CONTACT SURFACE OF TRANSVERSE JOINTS AND LONGITUDINAL JOINTS IN THE SURFACE LIFT SHALL BE SEALED BY APPLYING JOINT SEALANT PRIOR TO PLACEMENT OF ADDITIONAL ASPHALT AGAINST THE PREVIOUSLY PLACED MATERIAL. MANUFACTURER'S RECOMMENDATIONS SHALL BE FOLLOWED IF THE MATERIAL NEEDS TO BE RE-HEATED, AND WHEN PLACING THE THIN UNIFORM COAT. PRIOR TO APPLICATION OF THE SEALANT, THE FACE OF THE JOINT SHALL BE THOROUGHLY DRY AND FREE FROM DUST OR OTHER MATERIAL. TRUCK AND VEHICLE TRAFFIC SHALL NOT DRIVE ACROSS THE SEALANT JOINT UNTIL IT HAS DRIED SUFFICIENT TO PREVENT DAMAGE.
- (6) INCLUDES 45 TONS FOR DRIVEWAYS, CITY STREETS, COUNTY ROADS, FIELD ENTRANCES AND BUSINESS ENTRANCES.
- (7) INCLUDES 44 TONS FOR DRIVEWAYS, CITY STREETS, COUNTY ROADS, FIELD ENTRANCES AND BUSINESS ENTRANCES.
- (8) DELINEATORS SHALL BE:  
 --"HINGED-TYPE" FROM TDOTS CURRENT QPL.  
 --MOUNTED TO GUARDRAIL POSTS AT LOCATIONS AS DIRECTED BY THE TDOT PROJECT ENGINEER.  
 --ATTACHED TO GUARDRAIL POSTS AS PER MANUFACTURER'S INSTRUCTION USING  
 -- INCLUDES THE COST OF REMOVING EXISTING DELINEATORS  
 MANUFACTURER'S RECOMMENDED ADHESIVE.
- (9) THE CONTRACTOR SHALL COMPLY WITH SECTION 712 OF THE STANDARD SPECIFICATIONS FOR ROAD AND BRIDGE CONSTRUCTION REGARDING TEMPORARY TRAFFIC CONTROL AND THE CURRENT EDITION OF THE MANUAL ON UNIFORM TRAFFIC CONTROL DEVICES.
- (10) IN THE EVENT THAT A CONSTRUCTION AND/OR REGULATORY SIGN IS TEMPORARILY DESIGNATED NOT IN USE DURING THE CONSTRUCTION PHASE OF A PROJECT, THE CONTRACTOR SHALL CHOOSE A SIGN COVERING APPROVED BY THE ENGINEER. TEMPORARY SIGN COVERINGS SHALL NOT BE PAID FOR DIRECTLY BUT SHALL BE INCLUDED IN THE PRICE BID FOR ITEM NO. 712-06 SIGNS (CONSTRUCTION).
- (11) INCLUDES THE SIGN, SUPPORT, FOOTING, AND ANY ADDITIONAL MATERIALS REQUIRED FOR SIGN INSTALLATION COMPLETE IN PLACE AT L.M. 1.929.
- (12) CONTRACTOR SHALL REMOVE EXISTING SPM BY A METHOD THAT DOES NOT DAMAGE THE EXISTING ASPHALT. IF DAMAGE OCCURS DURING REMOVAL, THE CONTRACTOR SHALL MAKE REPAIRS AT THEIR OWN EXPENSE BEFORE PAVING.
- (13) ALL STOP BARS ON SIDE STREETS WILL BE RETRACED AS DIRECTED BY THE ENGINEER.
- (14) THE CONTRACTOR MAY ELECT TO SUBSTITUTE PREFORMED PLASTIC FOR THERMOPLASTIC. PREFORMED PLASTIC SHALL BE PAID FOR AT THE SAME UNIT PRICE AS BID FOR THERMOPLASTIC.
- (15) ITEM TO BE USED AS PERMANENT MARKING ONLY.
- (16) ITEM TO BE USED ON APPROACHES TO STOP AHEAD MARKINGS NEAR L.M. 0.15 AND L.M. 1.92.
- (17) ITEM TO BE USED AS TEMPORARY PAVEMENT MARKING ONLY.
- (18) TO BE USED AS DOUBLE DOTTED YELLOW CENTERLINE AND SINGLE DOTTED WHITE EDGELINE AT L.M. 1.883 AND OLD GAINESBORO RD

TYPE	YEAR	PROJECT NO.	SHEET NO.
RESURF	2026	STP-291(11)	2

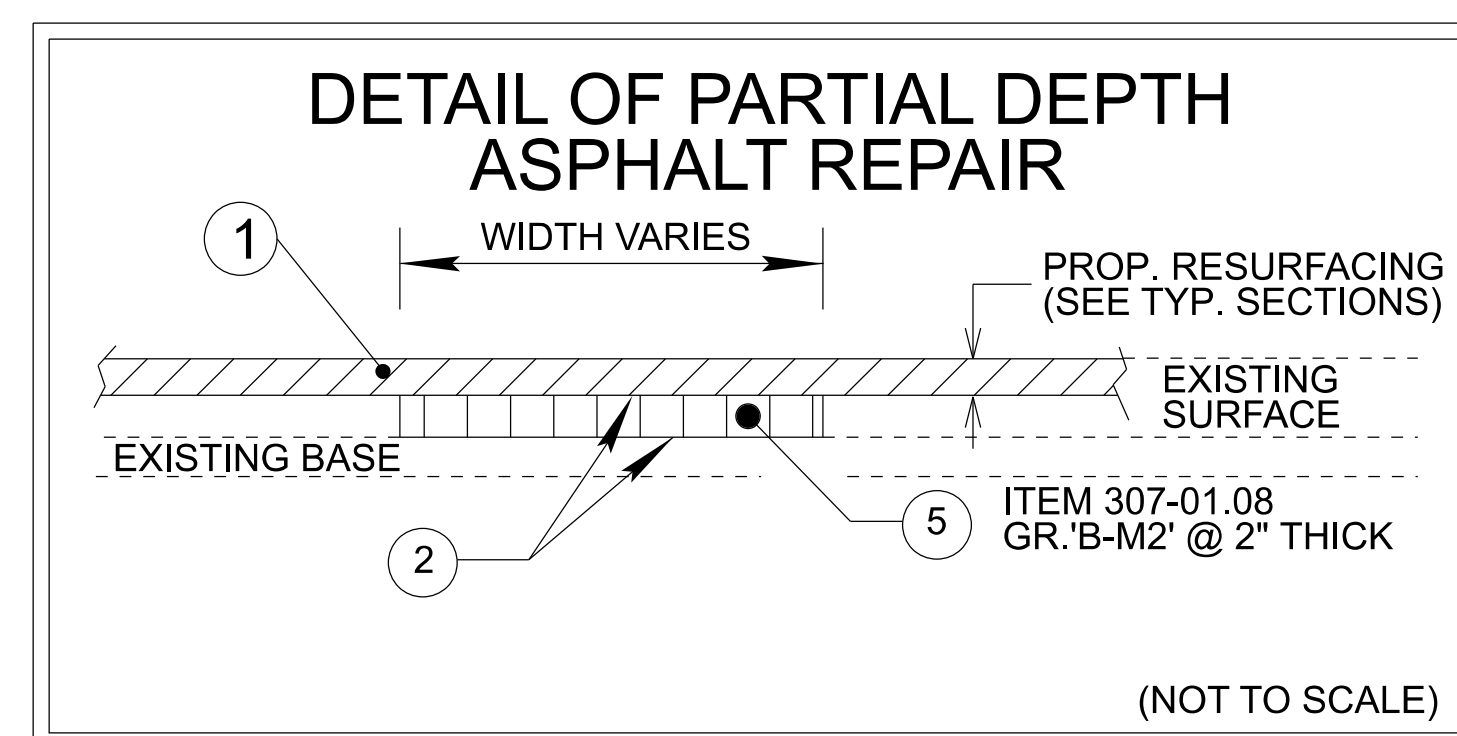
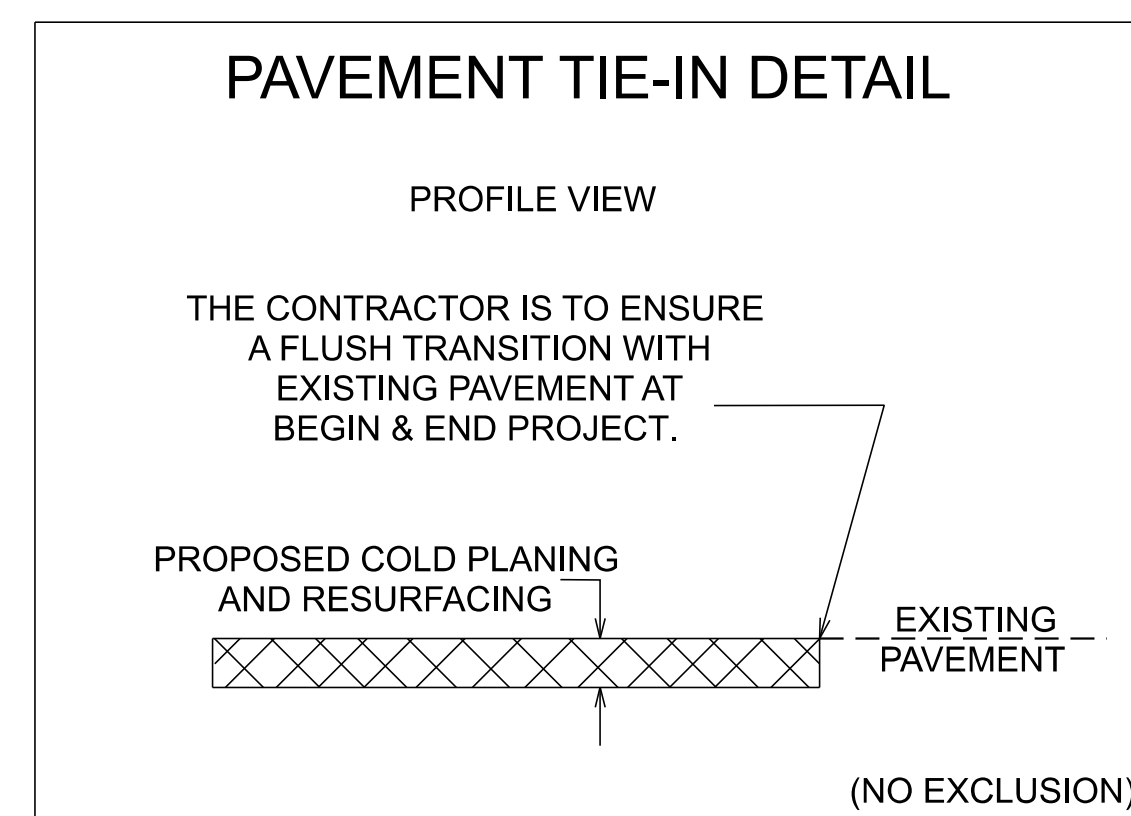
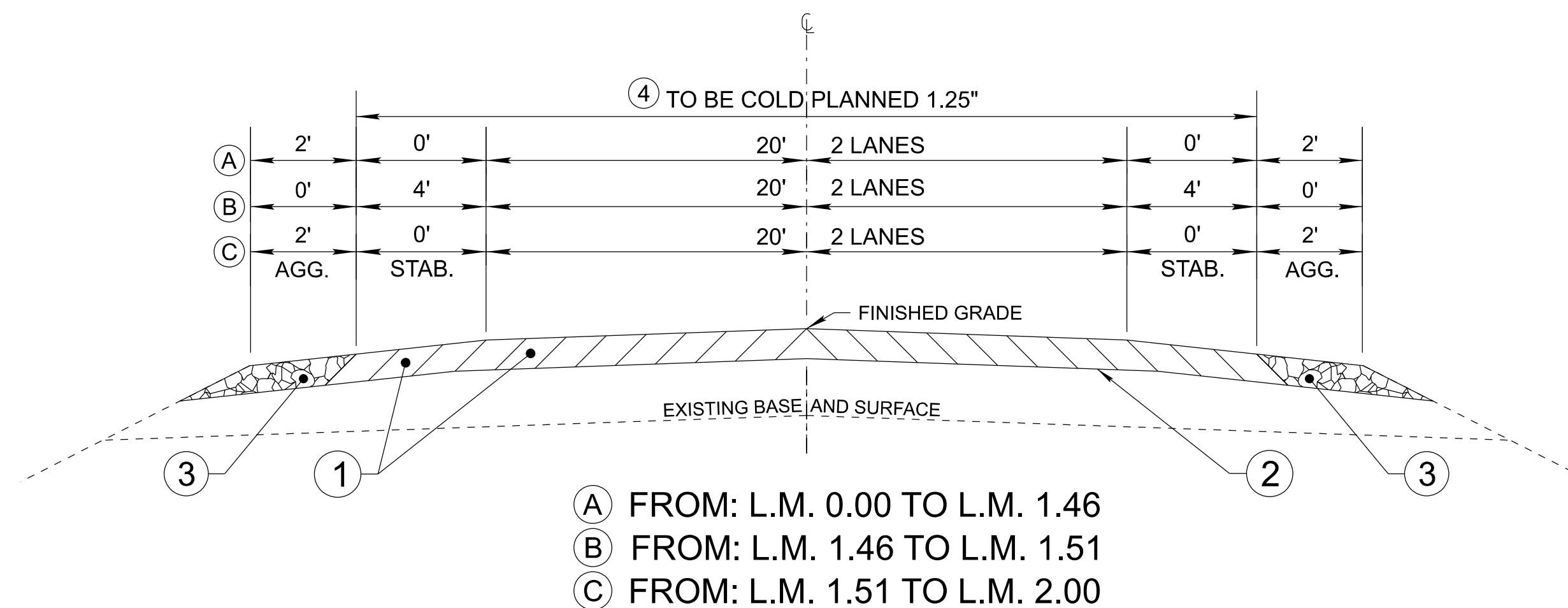
**SEALED BY**



**STATE OF TENNESSEE  
DEPARTMENT OF TRANSPORTATION**

ESTIMATED  
ROADWAY  
QUANTITIES

TYPE	YEAR	PROJECT NO.	SHEET NO.
RESURF	2026	STP-291(11)	2B



LONGITUDINAL JOINT SEALANT (ITEM 411-01.21) SHALL BE USED ON LANE JOINTS.

PROPOSED PAVEMENT SCHEDULE	
①	ASPHALTIC CONCRETE SURFACE (HM) @ 1.25"± THICK (APPROX. 132.5 LBS./S.Y.) ITEM 411-03.12 ACS MIX (PG64-22) THIN LIFT D ASPHALT
②	TRACKLESS TACK COAT ITEM 403-02.01 TRACKLESS TACK COAT (TC) SEE 403.05 FOR DETERMINING APPLICATION RATE IN THE FIELD
③	MINERAL AGGREGATE @ 1.00"± THICK FOR SHOULDERS ITEM 303-01 MINERAL AGGREGATE, TYPE "A" BASE, GRADING "D"
④	COLD PLANING @ 1.25"± THICK (APPROX. 132.5 LBS./S.Y.) ITEM 415-01.01 COLD PLANING BITUMINOUS PAVEMENT
⑤	BITUMINOUS COURSE (BINDER) @ 2.00"± THICK (APPROX. 226.0 LBS./S.Y.) ITEM 307-01.08 ASPHALT CONCRETE MIX (PG64-22) (BPMB-HM) GRADING "B-M2" (TO BE USED FOR BREAKOUT ONLY)

**SEALED BY**

NOT TO SCALE

**STATE OF TENNESSEE  
DEPARTMENT OF TRANSPORTATION**

TYPICAL  
SECTIONS AND  
PAVEMENT  
SCHEDULE

# GENERAL NOTES

## GRADING

- (1) ANY AREA THAT IS DISTURBED OUTSIDE LIMITS OF CONSTRUCTION DURING THE LIFE OF THIS PROJECT SHALL BE REPAIRED BY THE CONTRACTOR AT HIS EXPENSE.
- (3) THE CONTRACTOR SHALL NOT DISPOSE OF ANY MATERIAL EITHER ON OR OFF STATE-OWNED R.O.W. IN A REGULATORY FLOOD WAY AS DEFINED BY THE FEDERAL EMERGENCY MANAGEMENT AGENCY (FEMA) WITHOUT APPROVAL BY FEMA. ALL MATERIAL SHALL BE DISPOSED OF IN UPLAND (NON-WETLAND) AREAS AND ABOVE ORDINARY HIGH WATER OF ANY ADJACENT WATERCOURSE. THIS DOES NOT ELIMINATE THE NEED TO OBTAIN ANY OTHER LICENSES OR PERMITS THAT MAY BE REQUIRED BY ANY OTHER FEDERAL, STATE OR LOCAL AGENCY.

## MISCELLANEOUS

- (3) NOTHING IN THE GENERAL NOTES OR SPECIAL PROVISIONS SHALL RELIEVE THE CONTRACTOR FROM HIS RESPONSIBILITIES TOWARD THE SAFETY AND CONVENIENCE OF THE GENERAL PUBLIC AND THE RESIDENTS ALONG THE PROPOSED CONSTRUCTION AREA.

## PAVEMENT MARKINGS

### TEMPORARY PAVEMENT MARKINGS ON INTERMEDIATE LAYERS

- (1) TEMPORARY PAVEMENT LINE MARKINGS ON INTERMEDIATE LAYERS OF PAVEMENT SHALL BE REFLECTIVE TAPE OR REFLECTORIZED PAINT INSTALLED TO PERMANENT STANDARDS AT THE END OF EACH DAY'S WORK. SHORT, UNMARKED SECTIONS SHALL NOT BE ALLOWED. THESE MARKINGS WILL BE MEASURED AND PAID FOR UNDER ITEM NO. 716-05.01, PAINTED PAVEMENT MARKING (4" LINE), L.M.

### FINAL PAVEMENT MARKING

- (6) THE CONTRACTOR WILL BE REQUIRED TO PERFORM THE FOLLOWING WORK:
  - a. BROOMING & DE-GRASSING SHOULDERS SHALL INCLUDE CLIPPING OF MATERIAL INTERFERING WITH PROPER DRAINAGE OF ROADWAY (INCLUDING PAVED AND GRAVEL SHOULDERS), AS DIRECTED BY THE ENGINEER.
  - b. ALL MATERIAL FROM CLIPPING, BROOMING AND DE-GRASSING SHOULDERS SHALL BE PICKED UP, REMOVED AND PROPERLY DISPOSED AS DIRECTED BY THE ENGINEER.
  - c. ALL COSTS ASSOCIATED WITH PICKING UP, REMOVAL AND PROPER DISPOSAL SHALL BE PAID FOR UNDER ITEM NO. 208-01.05.
  - d. REMOVE ALL GARBAGE AND CONSTRUCTION DEBRIS FROM PROJECT. THE COST FOR THIS WILL BE INCLUDED IN THE PRICE BID FOR OTHER ITEMS OF CONSTRUCTION.
- (8) PERMANENT PAVEMENT LINE MARKINGS SHALL BE 6" ENHANCED FLATLINE THERMOPLASTIC INSTALLED TO PERMANENT STANDARDS AT THE END OF EACH DAY'S WORK. SHORT UNMARKED SECTIONS SHALL NOT BE ALLOWED. PAVEMENT MARKINGS WILL BE MEASURED AND PAID FOR UNDER ITEM NO. 716-12.02, ENHANCED FLATLINE THERMO PVMT MRKNG (6IN LINE), L.M. THE CONTRACTOR SHALL HAVE THE OPTION OF USING REFLECTORIZED PAINT INSTALLED TO PERMANENT STANDARDS AT THE END OF EACH DAY'S WORK AND THEN INSTALLING THE PERMANENT MARKINGS AFTER THE PAVING OPERATION IS COMPLETED. THE TEMPORARY MARKINGS FOR THE FINAL SURFACE WILL NOT BE MEASURED AND PAID FOR DIRECTLY, BUT THE COSTS ARE TO BE INCLUDED IN THE PRICE BID FOR THE PERMANENT MARKINGS.

## SNOWPLOWABLE REFLECTIVE PAVEMENT MARKERS

- (19) REMOVE EXISTING SNOWPLOWABLE MARKERS PRIOR TO PAVING AND/OR COLD PLANING. REMOVE ALL ADHESIVES PRIOR TO PAVING. PATCH ANY HOLES OR DIVOTS RESULTING FROM THE REMOVAL OF A MARKER IN A MANNER WHICH ENSURES A UNIFORM PAVED SURFACE. PATCH WORK SHALL BE INCLUDED WITH COST OF OTHER ITEMS OF CONSTRUCTION.

## PAVEMENT

### PAVING

- (2) THE CONTRACTOR SHALL BE REQUIRED TO COLD PLANE AND PAVE IN THE DIRECTION OF TRAFFIC.

### RESURFACING

- (4) WHERE DIRECTED BY THE TDOT ENGINEER, THE CONTRACTOR SHALL BE REQUIRED TO SHAPE PUBLIC SIDE ROADS, BUSINESS ENTRANCES, AND PRIVATE DRIVES, AS WELL AS CLEANING OF EXISTING DRAINS BEFORE PLACING MATERIALS. ALL COSTS ARE TO BE INCLUDED IN THE PRICE BID FOR OTHER ITEMS OF CONSTRUCTION.
- (5) ALL PUBLIC SIDE ROADS SHALL BE PAVED ONE PAVER WIDTH THROUGH THE INTERSECTION AS A MINIMUM. A SATISFACTORY TRANSITION FROM THE NEW PAVEMENT TO THE EXISTING GRADE OF THE INTERSECTING PUBLIC ROAD OR BUSINESS ENTRANCE SHALL BE PROVIDED. SHOULD THE PAVEMENT OF THE INTERSECTING PUBLIC ROAD BE DISTRESSED, THE RESURFACING WIDTH MAY BE INCREASED TO THE NORMAL RIGHT OF WAY LINE.
- (6) PRIVATE DRIVEWAYS, FIELD ENTRANCES, AND BUSINESS ENTRANCES WILL BE RESURFACED A PAVER WIDTH (LANE WIDTH) AS A MINIMUM. A PAVEMENT TAPER TO TRANSITION THE NEW PAVEMENT SHALL BE REQUIRED, IT SHALL BE BASED ON AN ADDITIONAL ONE FOOT OF WIDTH PER ONE INCH DEPTH OF PAVEMENT. IF THE SHOULDER IS NARROW ENOUGH THAT THE SUM OF THE SHOULDER AND THE TRANSITION ARE LESS THAN A PAVER WIDTH, THE TRANSITION SHALL OCCUR WITHIN THE PAVER WIDTH. IF THE SUM OF THE SHOULDER AND THE TRANSITION IS GREATER THAN A PAVER WIDTH (LANE WIDTH), THE TRANSITION SHALL OCCUR OUTSIDE OF THE PAVER WIDTH.
- (9) IN ALL CASES, THE LENGTH OF THE PAVEMENT TRANSITION, THE THICKNESS AND WIDTH OF THE RESURFACING AND ANY ADDITIONAL PAVEMENT MATERIALS SHALL BE AS DIRECTED BY THE TDOT ENGINEER.

### SIGNING

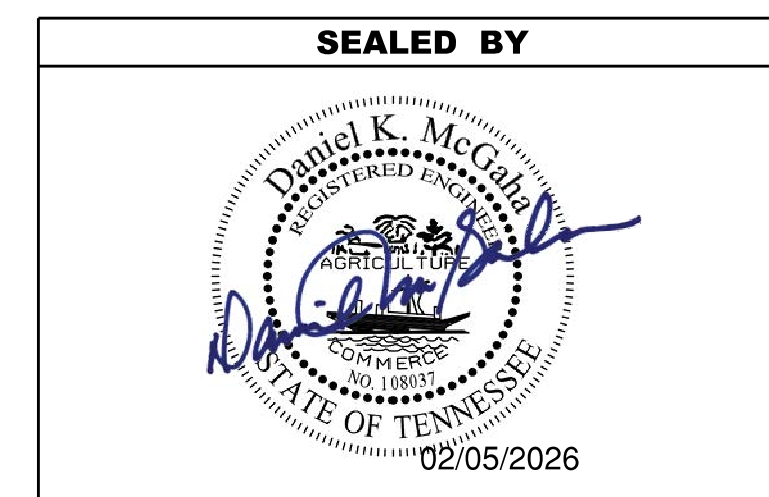
- (2) FOR ALL PERMANENT PANEL SIGNS WITH A SILVER-WHITE, YELLOW, RED, GREEN, BROWN, OR BLUE BACKGROUND, PROVIDE REFLECTIVE SHEETING THAT MEETS OR EXCEEDS AASHTO M268, TYPE D.
- (4) THE TOP OF THE SIGN FOOTINGS SHALL BE PLACED LEVEL WITH THE GROUND LINE.
- (11) THE LETTERS, DIGITS, ARROWS, BORDERS, AND ALPHABET ACCESSORIES ON ALL FLAT SHEET SIGNS SHALL BE APPLIED BY SILK SCREENING PROCESS.
- (12) ALL SIGNS WHICH INTERFERE WITH CONSTRUCTION WILL BE RELOCATED OUTSIDE LIMITS OF CONSTRUCTION BY THE CONTRACTOR. UPON COMPLETION OF CONSTRUCTION, THE CONTRACTOR WILL RESTORE THE SIGNS TO ORIGINAL LOCATION. THE CONTRACTOR SHALL CHECK WITH THE REGIONAL TRAFFIC ENGINEER PRIOR TO MOVING ANY PERMANENT SIGNS.
- (13) AFTER THE PERMANENT SIGN LOCATIONS HAVE BEEN STAKED, THERE SHALL BE A FIELD INSPECTION AND APPROVAL BY THE CONSTRUCTION FIELD OFFICE. PAYMENT FOR LOCATION AND STAKING SHOULD BE INCLUDED IN THE BID PRICE FOR OTHER ITEMS OF CONSTRUCTION. ANY RELOCATION REQUIRED, DUE TO THE SIGN NOT BEING INSTALLED IN THE CORRECT LOCATION, WILL BE DONE AT THE CONTRACTOR'S EXPENSE.

### CONSTRUCTION WORK ZONE & TRAFFIC CONTROL

- (1) ADVANCED WARNING SIGNS SHALL NOT BE DISPLAYED MORE THAN FORTY-EIGHT (48) HOURS BEFORE PHYSICAL CONSTRUCTION BEGINS. SIGNS MAY BE ERECTED UP TO ONE WEEK BEFORE NEEDED, IF THE SIGN FACE IS FULLY COVERED.
- (2) IF THE CONTRACTOR MOVES OFF THE PROJECT, HE SHALL COVER OR REMOVE ALL UNNEEDED SIGNS AS DIRECTED BY THE ENGINEER. COSTS OF REMOVAL, COVERING, AND REINSTALLING SIGNS SHALL NOT BE MEASURED AND PAID FOR SEPARATELY, BUT ALL COSTS SHALL BE INCLUDED IN THE ORIGINAL UNIT PRICE BID FOR ITEM NO. 712-06, SIGNS (CONSTRUCTION) PER SQUARE FOOT.
- (3) A LONG TERM BUT SPORADIC USE WARNING SIGN, SUCH AS A FLAGGER SIGN, MAY REMAIN IN PLACE WHEN NOT REQUIRED PROVIDED THE SIGN FACE IS FULLY COVERED.
- (4) TRAFFIC CONTROL DEVICES SHALL NOT BE DISPLAYED OR ERECTED UNLESS RELATED CONDITIONS ARE PRESENT NECESSITATING WARNING.

- (5) USE OF BARRICADES, PORTABLE BARRIER RAILS, AND DRUMS SHALL BE LIMITED TO THE IMMEDIATE AREAS OF CONSTRUCTION WHERE A HAZARD IS PRESENT. THESE DEVICES SHALL NOT BE STORED ALONG THE ROADWAY WITHIN THIRTY (30) FEET OF THE EDGE OF THE TRAVELED WAY BEFORE OR AFTER USE UNLESS PROTECTED BY GUARDRAIL, BRIDGE RAIL, AND/OR BARRIERS INSTALLED FOR OTHER PURPOSES FOR ROADWAYS WITH CURRENT ADT'S LESS THAN 1500 AND DESIGN SPEED OF LESS THAN 60 MPH. THIS DISTANCE SHALL INCREASE TO FORTY-FIVE (45) FEET FOR ROADWAYS WITH CURRENT ADT'S OF 1500 OR GREATER AND DESIGN SPEED OF 60 MPH OR GREATER OR ON THE OUTSIDE OF A HORIZONTAL CURVE. THESE DEVICES SHALL BE REMOVED FROM THE CONSTRUCTION WORK ZONE WHEN THE ENGINEER DETERMINES THEY ARE NO LONGER NEEDED. WHERE THERE IS INSUFFICIENT RIGHT-OF-WAY TO PROVIDE FOR THIS REQUIRED SETBACK, THE CONTRACTOR SHALL DETERMINE THE ALTERNATE LOCATIONS AND REQUEST THE ENGINEER'S APPROVAL TO USE THEM.
- (6) THE CONTRACTOR SHALL NOT BE PERMITTED TO PARK ANY VEHICLES OR CONSTRUCTION EQUIPMENT DURING PERIODS OF INACTIVITY, WITHIN THIRTY (30) FEET OF THE EDGE OF PAVEMENT WHEN THE LANE IS OPEN TO TRAFFIC UNLESS PROTECTED BY GUARDRAIL, BRIDGE RAIL, AND/OR BARRIERS INSTALLED FOR OTHER PURPOSES FOR ROADWAYS WITH CURRENT ADT'S LESS THAN 1500 AND DESIGN SPEED OF LESS THAN 60 MPH. THIS DISTANCE SHALL BE INCREASED TO FORTY-FIVE (45) FEET FOR ROADWAYS WITH CURRENT ADT'S OF 1500 OR GREATER AND DESIGN SPEED OF 60 MPH OR GREATER OR ON THE OUTSIDE OF A HORIZONTAL CURVE. PRIVATELY OWNED VEHICLES SHALL NOT BE ALLOWED TO PARK WITHIN THIRTY (30) FEET OF AN OPEN TRAFFIC LANE AT ANY TIME UNLESS PROTECTED AS DESCRIBED ABOVE FOR ROADWAYS WITH CURRENT ADT'S LESS THAN 1500 AND DESIGN SPEED OF LESS THAN 60 MPH. THIS DISTANCE SHALL BE INCREASED TO FORTY-FIVE (45) FEET FOR ROADWAYS WITH CURRENT ADT'S OF 1500 OR GREATER AND DESIGN SPEED OF 60 MPH OR GREATER OR ON THE OUTSIDE OF A HORIZONTAL CURVE. WHERE THERE IS INSUFFICIENT RIGHT-OF-WAY TO PROVIDE FOR THIS REQUIRED SETBACK, THE CONTRACTOR SHALL DETERMINE THE ALTERNATE LOCATIONS AND REQUEST THE ENGINEER'S APPROVAL TO USE THEM.
- (7) ALL DETOUR AND CONSTRUCTION SIGNING SHALL BE IN STRICT ACCORDANCE WITH THE MANUAL ON UNIFORM TRAFFIC CONTROL DEVICES.

TYPE	YEAR	PROJECT NO.	SHEET NO.
RESURF	2026	STP-291(11)	2C



STATE OF TENNESSEE  
DEPARTMENT OF TRANSPORTATION

GENERAL  
NOTES

# SPECIAL NOTES

TYPE	YEAR	PROJECT NO.	SHEET NO.
RESURF	2026	STP-291(11)	2D

## TRAFFIC CONTROL

- (1) THE CONTRACTOR SHALL MAKE PROVISIONS TO SAFELY CONTROL TRAFFIC INGRESS AT ALL ROADWAY ENTRANCES WITHIN THE FLAGGED WORK ZONE TO THE SATISFACTION OF THE TDOT PROJECT ENGINEER. ALL COST ASSOCIATED WITH THE CONTROLS WILL BE INCLUDED IN THE PRICE BID FOR TRAFFIC CONTROL.
- (2) EXISTING CONSTRUCTION, REGULATORY AND WARNING SIGNS WHICH CONFLICT WITH THE CONSTRUCTION SIGNING SHALL BE REMOVED DURING CONSTRUCTION AND REINSTALLED AS DIRECTED BY THE TDOT PROJECT ENGINEER. ALL COSTS TO BE INCLUDED IN THE PRICE BID FOR ITEM NO. 712-01, TRAFFIC CONTROL, PER LUMP SUM.
- (3) THE CONTRACTOR SHALL GIVE THE TDOT PROJECT ENGINEER A MINIMUM OF SEVEN (7) DAYS NOTICE PRIOR TO STARTING WORK SO THAT SUFFICIENT NOTICE CAN BE PREPARED AND DISTRIBUTED TO THE MEDIA.
- (4) IMMEDIATELY UPON COMPLETION OF EACH CONSTRUCTION PHASE, ALL TRAFFIC CONTROL ITEMS THAT ARE NOT NECESSARY FOR THE SUCCEEDING PHASE SHALL BE REMOVED, COVERED, OR TURNED TO FACE AWAY FROM THE TRAFFIC.
- (5) THE CONTRACTOR SHALL PROVIDE FLAGGER AT EACH SIDEROAD WITHIN THE PAVING OPERATION
- (7) CHANGEABLE MESSAGE SIGNS UNITS (ITEM NO. 713-16.01) WILL BE REQUIRED ON THIS PROJECT. THE SIGNS WILL BE USED FOR ADVANCED WARNING OR AS DIRECTED BY THE ENGINEER.
- (8) MESSAGE BOARDS SHALL BE DISPLAYED A MINIMUM OF SEVEN (7) DAYS PRIOR TO STARTING WORK TO INFORM PUBLIC OF UPCOMING CONSTRUCTION PROJECT.
- (9) PRIOR TO DISPLAYING MESSAGES ON CHANGEABLE MESSAGE BOARDS, ALL MESSAGES SHALL BE APPROVED BY THE TDOT PROJECT ENGINEER AND REGION 2 TRAFFIC ENGINEER.
- (10) INFORMATION ON CHANGEABLE MESSAGE BOARDS SHALL BE UPDATED TO REFLECT CURRENT CONSTRUCTION CONDITIONS ACTIVITIES AT ALL TIMES.

## LANE CLOSURES

- (1) THE RESTRICTION OF TRAFFIC TO ONE LANE SHALL NOT EXCEED ONE DAY'S PAVING OPERATION.
- (2) THE CONTRACTOR SHALL KEEP ALL TRAFFIC LANES OPEN TO TRAFFIC DURING NON-WORKING HOURS AND/OR NON-WORK DAYS.
- (4) THE CONTRACTOR SHALL NOT BE ALLOWED TO INTERRUPT TRAFFIC FLOW AND SHALL MAINTAIN ALL LANES OF TRAFFIC IN EACH DIRECTION ON THE FOLLOWING DAYS:
  - A. OFFICIAL STATE HOLIDAYS.
  - B. FRIDAY AT 6:00 AM UNTIL TUESDAY AT 7:00 PM. IF A STATE HOLIDAY OCCURS OR IS OBSERVED ON MONDAY.
  - C. THURSDAY AT 6:00 AM UNTIL TUESDAY AT 7:00 PM. IF A STATE HOLIDAY OCCURS OR IS OBSERVED ON FRIDAY.
  - D. DURING LOCAL FESTIVALS, GAMES OR EVENTS THAT COULD BE IMPEDED BY THE PAVING OPERATIONS WHERE AND AS DIRECTED BY THE TDOT PROJECT ENGINEER.

## PAVING

- (1) INTELLIGENT COMPACTION SHALL BE USED.
- (2) ANY QUANTITY REMAINING ON ITEMS COMPLETED PRIOR TO THE PAVING OPERATION WILL NOT BE CONVERTED TO ADDITIONAL ASPHALT FOR THE ROADWAY.

## COLD PLANING

- (1) THE CONTRACTOR WILL BE REQUIRED TO PAVE THE COLD PLANED PAVEMENT WITHIN A PERIOD OF 96 HOURS.
- (2) PROVIDED THAT THE CONTRACTOR USES A COLD PLANING MACHINE WITH THE MILLING DRUM SPECIFICATIONS OF CLOSELY SPACED FINE TOOTH (5/16 INCHES OR SMALLER) MILLING DRUM, MOVING FORWARD AT MODERATE SPEED (50 TO 65 FPM) AND THE UNDER SURFACE REMAINS INTACT (HAVING NO LOOSE MATERIAL OR GOUGES.) THEN THE CONTRACTOR MAY REQUEST PERMISSION FROM THE REGION 2 PROJECT ENGINEER TO MILL ALL SURFACES BEFORE COVERING WITH BITUMINOUS MATERIAL.

- (3) IF MILLED SURFACE BEGINS TO DETERIORATE, PAVING TO COVER UP DETERIORATING MILLED SURFACES SHOULD OCCUR AS DIRECTED BY THE TDOT PROJECT ENGINEER DURING THE NEXT WORKING DAY. IF SEVERE DISTRESS OCCURS, IMMEDIATE RESPONSE WILL BE REQUIRED.
- (4) IF SUBSURFACE PAVEMENT FAILURE IS EXPOSED AFTER MILLING, REMOVE AREA OF FAILURE TO SOUND PAVEMENT AND REPLACE WITH "BM2" MIX PRIOR TO PLACING PROPOSED OVERLAY.
- (5) AT THE COMPLETION OF COLD PLANING OPERATION, ANY DEPRESSIONS WILL BE CLEANED AND BROUGHT TO PROPER GRADE WITH "BM2" MIX MATERIAL. THE COST OF THE CLEAN UP WILL BE INCLUDED IN THE UNIT PRICE FOR "BM2" MIX MATERIAL.

## PAVEMENT

### RESURFACING

- (3) SURFACE IS TO BE CROWNED AS DIRECTED BY THE ENGINEER.
- (6) THE OUTSIDE SHOULDER WILL BE PAVED CONCURRENTLY WITH THE TRAFFIC LANE.
- (8) THE BITUMINOUS MATERIAL DESIGNATED TO RESTORE THE COLD PLANING AREA WILL BE PLACED WITHIN 96 HOURS OF THE COMMENCEMENT OF COLD PLANING OPERATIONS. COLD PLANING OPERATIONS WILL BE LIMITED TO AN AREA EQUAL TO THAT WHICH CAN BE COVERED WITH BITUMINOUS MATERIAL WITHIN THE TIME LIMITS SPECIFIED, EVEN IF COLD PLANING OPERATIONS MUST BE SUSPENDED UNTIL PAVING CATCHES UP.

### PAVEMENT MARKING

- (1) UNDER THE DIRECTION OF THE ENGINEER, THE CONTRACTOR MAY BE REQUIRED TO APPLY PAINTED MARKINGS IN THE PAVEMENT AREAS NOT SPECIFICALLY DETAILED IN THE PLANS. PAYMENT WILL BE MADE AT THE UNIT PRICE BID FOR ITEM NO. 716-05.01.
- (2) UNDER THE DIRECTION OF THE ENGINEER, THE CONTRACTOR MAY BE REQUIRED TO APPLY PLASTIC MARKINGS IN THE PAVEMENT AREAS NOT SPECIFICALLY DETAILED IN THE PLANS. PAYMENT WILL BE MADE AT THE UNIT PRICE BID FOR ITEM NO. 716-12.02.

## SIGNS

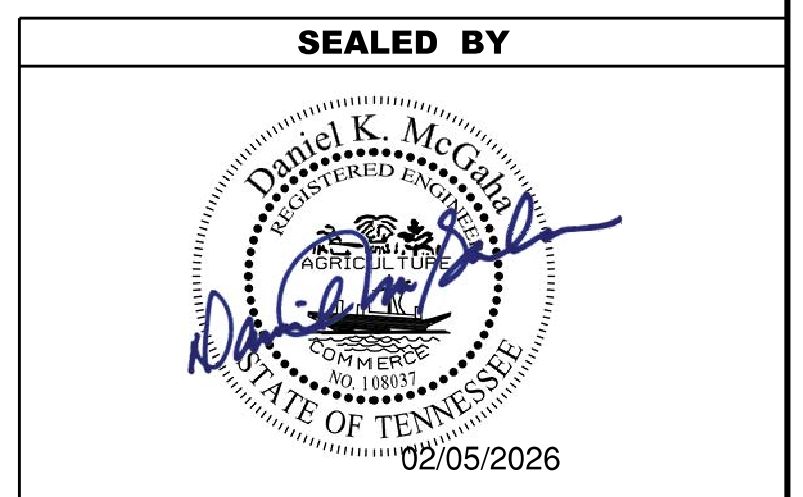
- (1) IF THE CONTRACTOR ELECTS TO UTILIZE SIGNPOST ANCHORS (STUBS) FOR SIGN ERECTION, THESE SHALL BE REMOVED WHEN THE SIGNS ARE REMOVED TO AVOID FUTURE DAMAGE TO MOWERS OR OTHER MACHINERY.

## MISCELLANEOUS

- (4) THE CONTRACTOR SHALL BE RESPONSIBLE FOR THE PROTECTION OF ANY SIGNS AND MAILBOXES DURING THE OPERATION. ANY SIGNS OR MAILBOXES DAMAGED AS A RESULT OF THE OPERATIONS SHALL BE REPLACED AT THE CONTRACTOR'S EXPENSE.

## JOINT SEALANTS

- (1) THE CONTACT SURFACE OF TRANSVERSE JOINTS AND LONGITUDINAL JOINTS IN THE SURFACE LIFT SHALL BE SEALED BY APPLYING JOINT SEALANT PRIOR TO PLACEMENT OF ADDITIONAL ASPHALT AGAINST THE PREVIOUSLY PLACED MATERIAL. MANUFACTURER'S RECOMMENDATIONS SHALL BE FOLLOWED IF THE MATERIAL NEEDS TO BE RE-HEATED, AND WHEN PLACING THE THIN, UNIFORM COAT.
- (3) PRIOR TO APPLICATION OF THE SEALANT, THE FACE OF THE JOINT SHALL BE THOROUGHLY DRY AND FREE FROM DUST OR ANY OTHER MATERIAL THAT WOULD PREVENT PROPER SEALING. ALL JOINTS SHALL BE SWEEPED OR BLOWN FREE OF LOOSE MATERIAL, DIRT, VEGETATION, AND OTHER DEBRIS BY MEANS OF COMPRESSED AIR OR A POWER SWEEPER.
- (4) TRUCK AND VEHICLE TRAFFIC SHALL NOT DRIVE ACROSS A SEALED JOINT UNTIL IT HAS DRIED SUFFICIENT TO PREVENT DAMAGE FROM TRACKING.



**STATE OF TENNESSEE  
DEPARTMENT OF TRANSPORTATION**

SPECIAL  
NOTES

# ENVIRONMENTAL NOTES

## ENVIRONMENTAL GENERAL NOTES

### NATURAL RESOURCES

- (4) THE OPERATION OF EQUIPMENT IN WATERS OF THE STATE/U.S., INCLUDING WETLANDS AND EPHEMERAL, INTERMITTENT, AND PERENNIAL STREAMS, IS NOT ALLOWED.
- (9) THE CONTRACTOR SHALL TAKE APPROPRIATE STEPS PRIOR TO ANY CONSTRUCTION AND MAINTENANCE ACTIVITIES TO ENSURE THAT ENVIRONMENTAL FEATURES (E.G., STREAMS, WETLANDS, SPRINGS, ETC.) ARE NOT IMPACTED BEYOND PERMITTED LOCATIONS. IF THE CONTRACTOR OR TDOT INSPECTOR IS UNSURE OF THE IDENTITY OF AN ENVIRONMENTAL FEATURE, THE INSPECTOR SHALL CONTACT THE TDOT REGION ENVIRONMENTAL TECH GROUP IMMEDIATELY.

### SPECIES

- (11) SHOULD CLIFF SWALLOW OR BARN SWALLOW NESTS, EGGS, OR BIRDS (YOUNG AND ADULTS) BE PRESENT, THE CONTRACTOR SHALL CONTACT THE REGIONAL ECOLOGY OFFICE TO DETERMINE IF SEASONAL RESTRICTIONS WILL BE NECESSARY. GENERALLY, BIRDS, NESTS, AND EGGS MAY NOT BE DISTURBED BETWEEN APRIL 15 AND JULY 31. FROM AUGUST 1 TO APRIL 14, NESTS CAN BE REMOVED OR DESTROYED SO LONG AS BIRDS OR EGGS ARE NOT PRESENT, AND MEASURES IMPLEMENTED TO PREVENT FUTURE NEST BUILDING AT THE SITE (I.E., CLOSING OFF AREA USING NETTING).
- (12) IF THE REMOVAL OF ANY TREES WITH A DIAMETER AT BREAST HEIGHT (DBH) GREATER THAN 3 INCHES IS DEEMED NECESSARY THE TDOT SUPERVISOR SHALL CONTACT THE TDOT ENVIRONMENTAL DIVISION, ECOLOGY SECTION IMMEDIATELY.

### PERMITS, PLANS & RECORDS

- (15) IF A CHANGE IN PROJECT SCOPE OCCURS DURING CONSTRUCTION, INCLUDING VALUE ENGINEERING, THE TDOT PERMIT SECTION SHALL BE CONTACTED TO DETERMINE WHETHER PERMIT REVISIONS ARE NEEDED. THE ENGINEERING PRODUCTION SUPPORT DIVISION SHALL BE CONTACTED TO DETERMINE IF ANY PLAN REVISIONS ARE NEEDED.

## ENVIRONMENTAL SPECIAL NOTES

### ENVIRONMENTAL

- (1) STAFF FROM THE TDOT ENVIRONMENTAL DIVISION COMPLIANCE AND FIELD SERVICES OFFICE SHALL BE INVITED TO ALL FIELD REVIEW MEETINGS.

### SCOPE OF WORK

- (6) THIS PROJECT INCLUDES MILL AND TLD @ 132.5 LB/SY, INTELLIGENT COMPACTION, BM2 SPOT REPAIR, PAVEMENT MARKINGS, AND BROOMING AND DEGRASSING SHOULDERS.

## EROSION PREVENTION AND SEDIMENT CONTROL GENERAL NOTES

### DISTURBED AREA

- (1) IF DISTURBED ACREAGE IS EQUAL TO ONE ACRE OR MORE, PLEASE CONTACT TDOT ENVIRONMENTAL DIVISION, PERMITS SECTION AS SOON AS POSSIBLE BECAUSE AN NPDES PERMIT WILL BE REQUIRED.

### SEDIMENT CONTROL

- (6) EPSC MEASURES SHALL BE INSTALLED AND FUNCTIONAL PRIOR TO ANY EARTH MOVING OPERATIONS AND SHALL BE MAINTAINED THROUGHOUT THE CONSTRUCTION PERIOD EXCEPT AS SUCH WORK MAY BE NECESSARY TO INSTALL EPSC MEASURES.
- (8) THE CONTRACTOR SHALL ESTABLISH AND MAINTAIN A PROACTIVE METHOD TO PREVENT THE OFFSITE MIGRATION OR DEPOSIT OF SEDIMENT OFF THE PROJECT LIMITS (E.G. R.O.W., EASEMENTS, ETC.), INTO WATERS OF THE STATE/U.S., OR ONTO ROADWAYS USED BY THE GENERAL PUBLIC. IF SEDIMENT ESCAPES THE CONSTRUCTION SITE, OFFSITE ACCUMULATIONS OF SEDIMENT THAT HAVE NOT REACHED A STREAM MUST BE REMOVED AT A FREQUENCY SUFFICIENT TO MINIMIZE OFFSITE IMPACTS (E.G., FUGITIVE SEDIMENT THAT HAS ESCAPED THE CONSTRUCTION SITE AND HAS COLLECTED IN A STREET MUST BE REMOVED SO THAT IT IS NOT SUBSEQUENTLY WASHED INTO STORM SEWERS AND STREAMS BY THE NEXT RAIN AND/OR SO THAT IT DOES NOT POSE A SAFETY HAZARD TO USERS OF PUBLIC STREETS). ARRANGEMENTS CONCERNING REMOVAL OF SEDIMENT ON ADJOINING

PROPERTY MUST BE NEGOTIATED WITH THE ADJOINING PROPERTY OWNER BEFORE REMOVAL OF SEDIMENT.

### GOOD HOUSEKEEPING MEASURES & WASTE DISPOSAL

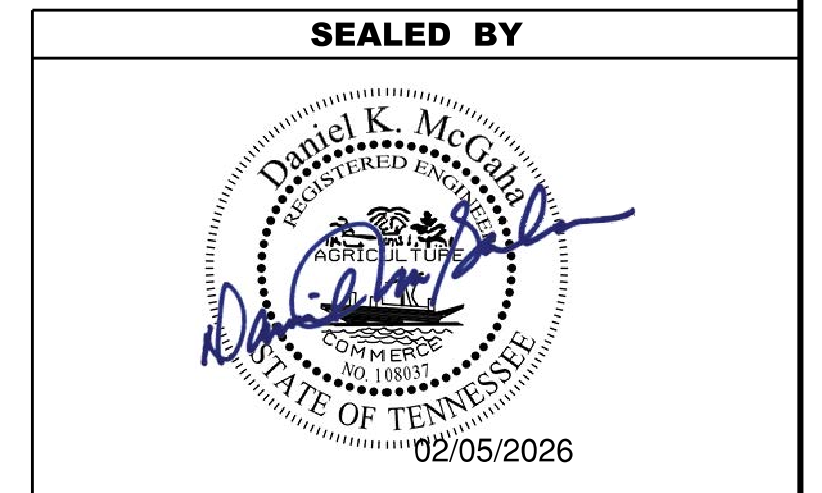
- (29) THE CONTRACTOR SHALL ESTABLISH AND MAINTAIN A PROACTIVE METHOD TO PREVENT LITTER AND CONSTRUCTION WASTES FROM ENTERING WATERS OF THE STATE/U.S. THESE MATERIALS SHALL BE REMOVED FROM STORMWATER EXPOSURE PRIOR TO ANTICIPATED STORM EVENTS OR BEFORE BEING CARRIED OFFSITE BY WIND, OR OTHERWISE PREVENTED FROM BECOMING A POLLUTANT SOURCE FOR STORMWATER DISCHARGES. AFTER USE, MATERIALS USED FOR EPSC SHALL BE REMOVED FROM THE SITE.
- (30) THE CONTRACTOR SHALL TAKE APPROPRIATE STEPS TO ENSURE THAT PETROLEUM PRODUCTS OR OTHER CHEMICAL POLLUTANTS ARE PREVENTED FROM ENTERING WATERS OF THE STATE/U.S. ALL EQUIPMENT REFUELING, SERVICING, AND STAGING AREAS SHALL COMPLY WITH ALL LOCAL, STATE, AND FEDERAL LAWS, RULES, REGULATIONS, AND ORDINANCES, INCLUDING THOSE OF THE NATIONAL FIRE PROTECTION ASSOCIATION. APPROPRIATE CONTAINMENT MEASURES FOR THESE AREAS SHALL BE USED.
- (31) CONTRACTORS SHALL PROVIDE DESIGNATED TRUCK WASHOUT AREAS ON THE SITE. THESE AREAS MUST BE SELF CONTAINED, NOT CONNECTED TO ANY STORMWATER OUTLET OF THE SITE, AND PROPERLY SIGNED. WASH DOWN OR WASTE DISCHARGE OF CONCRETE TRUCKS SHALL NOT BE PERMITTED ONSITE UNLESS PROPER SETTLEMENT AREAS HAVE BEEN PROVIDED IN ACCORDANCE WITH BOTH STATE AND FEDERAL REGULATIONS.
- (32) WHEEL WASH WATER SHALL BE COLLECTED AND ALLOWED TO SETTLE OUT SUSPENDED SOLIDS PRIOR TO DISCHARGE. WHEEL WASH WATER SHALL NOT BE DISCHARGED DIRECTLY INTO ANY STORMWATER SYSTEM OR STORMWATER TREATMENT SYSTEM.
- (33) IF PORTABLE SANITARY FACILITIES ARE PROVIDED ON CONSTRUCTION SITES, SANITARY WASTE SHALL BE COLLECTED FROM THE PORTABLE UNITS IN A TIMELY MANNER BY A LICENSED WASTE MANAGEMENT CONTRACTOR OR AS REQUIRED BY ANY REGULATIONS. THE CONTRACTOR SHALL OBTAIN ANY AND ALL NECESSARY PERMITS TO DISPOSE OF SANITARY WASTE.
- (34) ONLY CONSTRUCTION PRODUCTS NEEDED SHALL BE STORED ONSITE BY THE CONTRACTOR. THE CONTRACTOR SHALL STORE ALL MATERIALS UNDER COVER AND IN APPROPRIATE CONTAINERS. PRODUCTS MUST BE STORED IN ORIGINAL CONTAINERS AND LABELED. MATERIAL MIXING SHALL BE CONDUCTED IN ACCORDANCE WITH THE MANUFACTURER'S RECOMMENDATIONS. THE CONTRACTOR'S RESPONSIBLE PARTY SHALL INSPECT MATERIALS STORAGE AREAS REGULARLY TO ENSURE PROPER USE AND DISPOSAL.
- (35) WHEN POSSIBLE, ALL PRODUCTS SHALL BE USED COMPLETELY BEFORE PROPERLY DISPOSING OF THE CONTAINER OFFSITE. THE MANUFACTURER'S DIRECTIONS FOR DISPOSAL OF MATERIALS AND CONTAINERS SHALL BE FOLLOWED.
- (36) ALL PAINT CONTAINERS SHALL BE TIGHTLY SEALED AND STORED WHEN NOT REQUIRED FOR USE. EXCESS PAINT SHALL BE DISPOSED OF ACCORDING TO THE MANUFACTURER'S INSTRUCTIONS AND APPLICABLE STATE AND LOCAL REGULATIONS.
- (37) ALL HAZARDOUS WASTE MATERIALS SHALL BE DISPOSED OF IN A MANNER WHICH IS COMPLIANT WITH LOCAL OR STATE REGULATIONS. SITE PERSONNEL SHALL BE INSTRUCTED IN THESE PRACTICES, AND THE INDIVIDUAL DESIGNATED AS THE CONTRACTOR'S RESPONSIBLE PARTY SHALL BE RESPONSIBLE FOR SEEING THAT THESE PRACTICES ARE FOLLOWED. THE CONTRACTOR SHALL OBTAIN ANY AND ALL NECESSARY PERMITS TO DISPOSE OF HAZARDOUS MATERIAL.
- (38) OPEN BURNING IS PROHIBITED UNLESS IT IS SPECIFICALLY ALLOWED BY LAW. IF ALLOWED, NATURAL VEGETATION, TREES, AND UNTREATED LUMBER SHALL BE THE ONLY MATERIALS THAT CAN BE OPEN BURNED. THE CONTRACTOR SHALL BE RESPONSIBLE FOR OBTAINING ALL APPLICABLE STATE AND LOCAL PERMITS PRIOR TO ANY BURNING.
- (39) DISPOSAL OF ONSITE VEGETATION AND TREES BY CHIPPING THEM INTO MULCH IS PREFERABLE TO OPEN BURNING. THIS MULCH MAY BE USED AS AN ONSITE SOIL STABILIZATION MEASURE WHERE APPROPRIATE.
- (40) WASTE MATERIAL (EARTH, ROCK, ASPHALT, CONCRETE, ETC.) NOT REQUIRED FOR THE CONSTRUCTION OF THE PROJECT WILL BE DISPOSED OF BY THE CONTRACTOR. IMPACTS TO WATERS OF THE STATE/U.S. SHALL BE AVOIDED IF POSSIBLE. IF UNAVOIDABLE, THE CONTRACTOR WILL OBTAIN ANY AND ALL NECESSARY PERMITS INCLUDING, BUT NOT LIMITED

TO NPDES, AQUATIC RESOURCES ALTERATION PERMIT(S), CORPS OF ENGINEERS SECTION 404 PERMITS, AND TVA SECTION 26A PERMITS TO DISPOSE OF WASTE MATERIALS.

### SPILL PREVENTION, MANAGEMENT & NOTIFICATION

- (44) ALL ONSITE VEHICLES SHALL BE MONITORED FOR LEAKS AND RECEIVE REGULAR PREVENTIVE MAINTENANCE TO REDUCE THE CHANCE OF LEAKAGE AND SPILLS.
- (45) FOR ALL HAZARDOUS MATERIALS STORED ONSITE, THE MANUFACTURER'S RECOMMENDED METHODS FOR SPILL CLEAN UP SHALL BE CLEARLY POSTED. SITE PERSONNEL SHALL BE MADE AWARE OF THE PROCEDURES AND THE LOCATIONS OF THE INFORMATION AND CLEANUP SUPPLIES.
- (46) APPROPRIATE CLEANUP MATERIALS AND EQUIPMENT SHALL BE MAINTAINED BY THE CONTRACTOR IN THE MATERIALS STORAGE AREA ONSITE AND UNDER COVER. SPILL RESPONSE EQUIPMENT SHALL BE INSPECTED AND MAINTAINED BY THE CONTRACTOR AS NECESSARY TO REPLACE ANY MATERIALS USED IN SPILL RESPONSE ACTIVITIES.
- (47) ALL SPILLS SHALL BE CLEANED IMMEDIATELY AFTER DISCOVERY AND THE MATERIALS DISPOSED OF PROPERLY. THE SPILL AREA SHALL BE KEPT WELL VENTILATED AND PERSONNEL WILL WEAR APPROPRIATE PROTECTIVE CLOTHING TO PREVENT INJURY FROM CONTACT WITH A HAZARDOUS SUBSTANCE.
- (48) THE CONTRACTOR'S RESPONSIBLE PARTY SHALL BE THE SPILL PREVENTION AND CLEANUP COORDINATOR. THE CONTRACTOR IS RESPONSIBLE FOR ENSURING THAT THE SITE SUPERINTENDENT HAS HAD APPROPRIATE TRAINING FOR HAZARDOUS MATERIALS HANDLING, SPILL MANAGEMENT, AND CLEANUP.
- (49) IF AN OIL SHEEN IS OBSERVED ON SURFACE WATER (E.G. SETTLING PONDS, DETENTION PONDS, SWALES), ACTION SHALL BE TAKEN IMMEDIATELY TO REMOVE THE MATERIAL CAUSING THE SHEEN. THE CONTRACTOR SHALL USE APPROPRIATE MATERIALS TO CONTAIN AND ABSORB THE SPILL. THE SOURCE OF THE OIL SHEEN WILL ALSO BE IDENTIFIED AND REMOVED OR REPAIRED AS NECESSARY TO PREVENT FURTHER RELEASES.
- (50) FERTILIZERS SHALL BE APPLIED ONLY IN THE AMOUNTS SPECIFIED. ONCE APPLIED, FERTILIZERS SHALL BE WORKED INTO THE SOIL TO LIMIT THE EXPOSURE TO STORMWATER.
- (51) IF A SPILL OCCURS THE CONTRACTOR'S RESPONSIBLE PARTY SHALL BE RESPONSIBLE FOR COMPLETING THE SPILL REPORTING FORM AND FOR REPORTING THE SPILL TO THE TDOT PROJECT RESPONSIBLE PARTY. ALL SPILLS MUST BE REPORTED TO THE APPROPRIATE AGENCY, AND MEASURES SHALL BE TAKEN IMMEDIATELY TO PREVENT THE POLLUTION OF WATERS OF THE STATE/U.S., INCLUDING GROUNDWATER, SHOULD A SPILL OCCUR.
- (52) WHERE A RELEASE CONTAINING A HAZARDOUS SUBSTANCE IN AN AMOUNT EQUAL TO OR IN EXCESS OF A REPORTABLE QUANTITY ESTABLISHED UNDER EITHER 40 CFR 117 OR 40 CFR 302 OCCURS DURING A 24 HOUR PERIOD, SEE THE LATEST TENNESSEE GENERAL PERMIT NO. TNR100000 STORMWATER DISCHARGES FROM CONSTRUCTION ACTIVITIES SECTION 5.1 FOR REPORTING REQUIREMENTS.
- (53) CONTRACTOR'S BULK FUEL AND PETROLEUM PRODUCTS STORED ONSITE OR ADJACENT TO THE R.O.W. IN ABOVE GROUND STORAGE CONTAINERS WITH A COMBINED CAPACITY OF 1320 GALLONS OR MORE SHALL HAVE SECONDARY CONTAINMENT. THE CONTRACTOR SHALL BE RESPONSIBLE FOR PREPARING A SPILL PREVENTION CONTROL AND COUNTERMEASURE (SPCC) PLAN FOR THE BULK STORAGE AND BE SOLELY RESPONSIBLE FOR OBTAINING ANY NECESSARY LOCAL, STATE, AND FEDERAL PERMITS. THE SPCC PLAN AND/OR PERMITS SHALL BE KEPT ONSITE AND A COPY PROVIDED TO THE TDOT PROJECT RESPONSIBLE PARTY PRIOR TO STORING 1320 GALLONS ON SITE.

TYPE	YEAR	PROJECT NO.	SHEET NO.
RESURF	2026	STP-291(11)	2E



STATE OF TENNESSEE  
DEPARTMENT OF TRANSPORTATION

ENVIRONMENTAL  
NOTES

**TRAFFIC CONTROL SIGN TABULATION (RESURFACING)**

M.U.T.C.D. SIGN NO.	LEGEND \ DESCRIPTION	SIZE IN INCHES		S.F.	TOTAL NUMBER REQUIRED	ITEM NO. 712-06 S.F.
		L	x W			
G20-1	ROAD WORK NEXT 2 MILES	64"	x 24"	11	2	22
G20-2	END ROAD WORK	48"	x 24"	8	11	88
W8-11	UNEVEN LANES	48"	x 48"	16	12	192
W8-15	GROOVED PAVEMENT	48"	x 48"	16	12	192
W8-15P	MOTORCYCLE PLAQUE	30"	x 24"	5	12	60
W16-15P	SUPPLEMENTAL PLAQUE (SR-291)	24"	x 18"	3	12	36
W20-1	ROAD WORK AHEAD	48"	x 48"	16	6	96
W20-1	ROAD WORK 1 MILE	48"	x 48"	16	6	96
W20-1	ROAD WORK 1/2 MILE	48"	x 48"	16	6	96
W20-1	ROAD WORK 1000 FT	48"	x 48"	16	6	96
W20-4	ONE LANE ROAD 1000 FT - PORTABLE	48"	x 48"	16	2	32
W20-7	FLAGGER SYMBOL - PORTABLE	48"	x 48"	16	2	32
W21-2	FRESH OIL - PORTABLE	48"	x 48"	16	2	32
					<b>TOTAL</b>	<b>1070</b>

THIS CONSTRUCTION SIGNING IS TO BE AS A MINIMUM. OTHER SIGNS AS DIRECTED BY THE ENGINEER MAY BE REQUIRED DURING DIFFERENT PHASES.

TYPE	YEAR	PROJECT NO.	SHEET NO.
RESURF	2026	STP-291(11)	2F

**BRIDGE DECK RECOMMENDATIONS (RESURFACING)**

BRIDGE NUMBER	LOCATION LOG MILE	CROSSES OVER/UNDER	BRIDGE LENGTH	BRIDGE DECK RECOMMENDATIONS
71SR2910001	1.490	RECTOR BRANCH	24.7'	PAVE WITH PLANS MIX/TREATMENT TYPE

**PROPOSED GUARDRAIL (RESURFACING)**

QTY (EACH)	ITEM NO.	COMMENTS
	<b>705-04.22</b>	
59	GUARDRAIL DELINEATION ENHANCEMENT (BI-DIR) EACH	DELINEATORS SHALL BE: "HINGED-TYPE" BI-DIRECTIONAL DELINEATORS FROM TDOT'S CURRENT QPL. MOUNTED TO ALL GUARDRAIL POSTS EXCEPT END TERMINAL SECTIONS. ATTACHED TO GUARDRAIL POSTS EXCEPT END TERMINAL SECTIONS. USE MANUFACTURER'S RECOMMENDED ADHESIVE

SEALED BY



STATE OF TENNESSEE  
DEPARTMENT OF TRANSPORTATION

TABULATED  
QUANTITIES

TYPE	YEAR	PROJECT NO.	SHEET NO.
RESURF	2026	STP-291(11)	3

**UTILITY NOTES**

- (2) UNLESS OTHERWISE NOTED, ALL UTILITY ADJUSTMENTS WILL BE PERFORMED BY THE UTILITY OR ITS REPRESENTATIVE. THE CONTRACTOR AND UTILITY OWNERS WILL BE REQUIRED TO COOPERATE WITH EACH OTHER IN ORDER TO EXPEDITE THE WORK REQUIRED BY THIS CONTRACT. ON CONTRACTS WHERE CONSTRUCTION STAKES, LINES, AND GRADES ARE CONTRACT ITEMS, THE CONTRACTOR WILL BE REQUIRED TO PROVIDE RIGHT-OF-WAY OR SLOPE STAKES, DITCH OR STREAM BED GRADES, OR OTHER ESSENTIAL SURVEY STAKING TO PREVENT CONFLICTS WITH THE HIGHWAY CONSTRUCTION. FREQUENTLY, THIS WILL BE REQUIRED AS THE FIRST ITEM OF WORK AND AT ANY LOCATION ON THE PROJECT DIRECTED BY THE ENGINEER.
- (3) THE CONTRACTOR WILL PROVIDE ALL NECESSARY PROTECTIVE MEASURES TO SAFEGUARD EXISTING UTILITIES FROM DAMAGE DURING CONSTRUCTION OF THIS PROJECT. IN THE EVENT THAT SPECIAL EQUIPMENT IS REQUIRED TO WORK OVER AND AROUND THE UTILITIES, THE CONTRACTOR WILL BE REQUIRED TO FURNISH SUCH EQUIPMENT. THE COST OF PROTECTING UTILITIES FROM DAMAGE AND FURNISHING SPECIAL EQUIPMENT WILL BE INCLUDED IN THE PRICE BID FOR OTHER ITEMS OF CONSTRUCTION.
- (4) PRIOR TO SUBMITTING HIS BID, THE CONTRACTOR WILL BE SOLELY RESPONSIBLE FOR CONTACTING OWNERS OF ALL AFFECTED UTILITIES IN ORDER TO DETERMINE THE EXTENT TO WHICH UTILITY RELOCATIONS AND/OR ADJUSTMENTS WILL HAVE UPON THE SCHEDULE OF WORK FOR THE PROJECT. WHILE SOME WORK MAY BE REQUIRED 'AROUND' UTILITY FACILITIES THAT WILL REMAIN IN PLACE, OTHER UTILITY FACILITIES MAY NEED TO BE ADJUSTED CONCURRENTLY WITH THE CONTRACTOR'S OPERATIONS. ADVANCE CLEAR CUTTING MAY BE REQUIRED BY THE ENGINEER AT ANY LOCATION WHERE CLEARING IS CALLED FOR IN THE SPECIFICATIONS AND CLEAR CUTTING IS NECESSARY FOR A UTILITY RELOCATION. ANY ADDITIONAL COST WILL BE INCLUDED IN THE UNIT PRICE BID FOR THE CLEARING ITEM SPECIFIED IN THE PLANS.
- (5) THE CONTRACTOR SHALL NOTIFY EACH INDIVIDUAL UTILITY OWNER OF HIS PLAN OF OPERATION IN THE AREA OF THE UTILITIES. PRIOR TO COMMENCING WORK, THE CONTRACTOR SHALL CONTACT THE UTILITY OWNERS AND REQUEST THEM TO PROPERLY LOCATE THEIR RESPECTIVE UTILITY ON THE GROUND. THIS NOTIFICATION SHALL BE GIVEN AT LEAST THREE (3) BUSINESS DAYS PRIOR TO COMMENCEMENT OF OPERATIONS AROUND THE UTILITY IN ACCORDANCE WITH TCA 65-31-106. NOTIFICATION BY CALLING THE TENNESSEE ONE CALL SYSTEM, INC AT 1-800-351-1111 WILL BE REQUIRED.

**UTILITY OWNERS**

**CATV/FIBER:**

**Charter Communications**  
 851 S. Willow Avenue, Suite 206  
 Cookeville, TN 38501  
 CONTACT: Morgan Wilcher  
 OFFICE PHONE: \_\_\_ \_\_\_ \_\_\_  
 CELL PHONE: \_\_\_ \_\_\_ \_\_\_  
 Email: Morgan.Wilcher@charter.com

**FIBER:**

**Twin Lakes**  
 PO Box 67  
 Gainesboro, TN 38562  
 CONTACT: James Dobbs  
 OFFICE PHONE: 931 268 2151  
 CELL PHONE: \_\_\_ \_\_\_ \_\_\_  
 Email: jdobbs@twinlakes.net

**GAS:**

**Middle Tennessee Natural Gas**  
 PO Box 670  
 Smithville, TN 37166  
 CONTACT: Matt Stennett  
 OFFICE PHONE: 931 754 3515  
 CELL PHONE: \_\_\_ \_\_\_ \_\_\_  
 Email: mstennett@mtng.com

**SEWER:**

**Cookeville Water Quality Dept.**  
 1860 South Jefferson Avenue  
 Cookeville, TN 38506  
 CONTACT: Barry Turner  
 OFFICE PHONE: 931 520 5258  
 CELL PHONE: \_\_\_ \_\_\_ \_\_\_  
 Email: bturner@cookeville-tn.org

**WATER:**

**Town of Monterey**  
 PO Box 97  
 Monterey, TN 38574  
 CONTACT: Alex Garcia  
 OFFICE PHONE: 931 839 3770  
 CELL PHONE: \_\_\_ \_\_\_ \_\_\_  
 Email: elladishman@montereycityhall.com

**ELECTRIC:**

**Upper Cumberland Electric Membership Corp.**  
 PO Box 159  
 Carthage, TN 37030-0159  
 CONTACT: Wayne Anderson  
 OFFICE PHONE: 615 281 8810  
 CELL PHONE: \_\_\_ \_\_\_ \_\_\_  
 Email: wanderson@ucemc.com

**GAS:**

**Cookeville Energy Dept.**  
 55 West Davis Road  
 Cookeville, TN 38501  
 CONTACT: Carl Haney  
 OFFICE PHONE: 931 520 5400  
 CELL PHONE: \_\_\_ \_\_\_ \_\_\_  
 Email: chaney@cookeville-tn.org

**SEWER/WATER:**

**Baxter Utility Dept.**  
 PO Box 283  
 Baxter, TN 38544  
 CONTACT: John Ramsey  
 OFFICE PHONE: 931 858 4142  
 CELL PHONE: \_\_\_ \_\_\_ \_\_\_  
 Email: jramsey1101@gmail.com

**WATER:**

**Double Springs Utility District**  
 PO Box 3034  
 Cookeville, TN 38502-3034  
 CONTACT: Steve Redman  
 OFFICE PHONE: 931 526 3827  
 CELL PHONE: \_\_\_ \_\_\_ \_\_\_  
 Email: dsud@frontiernet.net

**WATER:**

**Old Gainesboro Road Utility District**  
 4865 Gainesboro Grade  
 Cookeville, TN 38501  
 CONTACT: Quentin Fox  
 OFFICE PHONE: 931 526 7210  
 CELL PHONE: \_\_\_ \_\_\_ \_\_\_  
 Email: support@cgrud.com

**SEALED BY**



**STATE OF TENNESSEE  
 DEPARTMENT OF TRANSPORTATION**

**UTILITY NOTES  
 AND  
 UTILITY OWNERS**

# PAVEMENT EDGE DROP-OFF TRAFFIC CONTROL NOTES

TYPE	YEAR	PROJECT NO.	SHEET NO.
RESURF	2026	STP-291(11)	T1

## A. DIFFERENCES IN ELEVATION BETWEEN ADJACENT TRAFFIC LANES OR TRAFFIC LANE AND SHOULDER WHERE THE TRAFFIC LANE IS BEING USED BY TRAFFIC, CAUSED BY BASE, PAVING OR RESURFACING:

1. DIFFERENCES IN ELEVATION BETWEEN ADJACENT ROADWAY ELEMENTS GREATER THAN 0.75 INCH AND NOT EXCEEDING 1.75 INCHES:
  - a. WARNING SIGNS, UNEVEN LANES (W8-11) AND/OR SHOULDER DROP-OFF WITH PLAQUE (W8-17 AND W8-17P), SHALL BE PLACED IN ADVANCE OF AND THROUGHOUT THE EXPOSED AREA. MAXIMUM SPACING BETWEEN SIGNS SHALL BE 2,000 FEET WITH A MINIMUM OF 2 SIGNS PER EXPOSED AREA. WHERE UNEVEN PAVEMENT IS ENCOUNTERED, SIGNS SHALL BE PLACED ON EACH SIDE OF THE ROADWAY.
  - b. DIFFERENCES IN ELEVATION BETWEEN ADJACENT TRAFFIC LANES BEING UTILIZED BY TRAFFIC CAUSED BY ADDED PAVEMENT SHALL BE ELIMINATED WITHIN THREE WORKDAYS.
  - c. DIFFERENCES IN ELEVATION BETWEEN ADJACENT TRAFFIC LANES BEING UTILIZED BY TRAFFIC CAUSED BY COLD PLANING SHALL BE ELIMINATED WITHIN THREE WORKDAYS.
  - d. WHEN THE DIFFERENCE IN ELEVATION IS BETWEEN THE TRAFFIC LANE BEING UTILIZED BY TRAFFIC AND SHOULDER THE DIFFERENCE IN ELEVATION SHALL BE ELIMINATED WITHIN SEVEN WORKDAYS AFTER THE CONDITION IS CREATED.
2. DIFFERENCES IN ELEVATION BETWEEN ADJACENT ROADWAY ELEMENTS GREATER THAN 1.75 INCHES AND NOT EXCEEDING 6 INCHES, TRAFFIC IS NOT TO BE ALLOWED TO TRAVERSE THIS DIFFERENCE IN ELEVATION.
  - a. SEPARATION SHALL BE ACCOMPLISHED BY DRUMS, BARRICADES OR OTHER APPROVED DEVICES IN ACCORDANCE WITH THE FOLLOWING:
    - (1) WHERE POSTED SPEEDS ARE 50 MPH OR GREATER, SPACING OF THE PROTECTIVE DEVICES SHALL NOT EXCEED 100 FEET.
    - (2) WHERE POSTED SPEEDS ARE LESS THAN 50 MPH, THE MAXIMUM SPACING OF THE PROTECTIVE DEVICES IN FEET SHALL NOT EXCEED TWICE THE POSTED SPEED IN MILES PER HOUR OR 50 FEET, WHICHEVER SPACING IS GREATER.
  - b. IF THE DIFFERENCE IN ELEVATION IS ELIMINATED OR DECREASED TO 2 INCHES OR LESS BY THE END OF EACH WORKDAY, CONES MAY BE USED DURING DAYLIGHT HOURS IN LIEU OF DRUMS, BARRICADES OR OTHER APPROVED PROTECTIVE DEVICES MENTIONED IN PARAGRAPH a, PROVIDED WARNING SIGNS ARE ERECTED. WARNING SIGNS (UNEVEN LANES AND/OR SHOULDER DROP-OFF) SHALL BE PLACED IN ADVANCE OF AND THROUGHOUT THE EXPOSED AREA. MAXIMUM SPACING BETWEEN SIGNS SHALL BE 2,000 FEET WITH A MINIMUM OF 2 SIGNS PER EXPOSED AREA. WHERE UNEVEN PAVEMENT IS ENCOUNTERED, SIGNS SHALL BE PLACED ON EACH SIDE OF THE ROADWAY.
  - c. WHEN THE DIFFERENCE IN ELEVATION IS BETWEEN THE THROUGH TRAFFIC LANE AND THE SHOULDER AND THE ELEVATION DIFFERENCE IS LESS THAN 3 INCHES, THE CONTRACTOR MAY USE WARNING SIGNS AND/OR PROTECTIVE DEVICES AS APPLICABLE AND APPROVED BY THE REGIONAL TRAFFIC ENGINEER. SEE PARAGRAPH a REGARDING USE OF DRUMS, BARRICADES OR OTHER APPROVED PROTECTIVE DEVICES. WARNING SIGNS (UNEVEN LANES AND/OR SHOULDER DROP-OFF) WILL BE PLACED IN ADVANCE OF AND THROUGHOUT THE EXPOSED AREA. MAXIMUM SPACING BETWEEN SIGNS SHALL BE 2,000 FEET WITH A MINIMUM OF 2 SIGNS PER EXPOSED AREA. WHERE UNEVEN PAVEMENT IS ENCOUNTERED, SIGNS SHALL BE PLACED ON EACH SIDE OF THE ROADWAY.

IN THESE SITUATIONS, THE CONTRACTOR SHALL LIMIT HIS OPERATIONS TO ONE WORK ZONE NOT EXCEEDING 2 MILES IN LENGTH UNLESS OTHERWISE NOTED ON THE PLANS OR APPROVED BY THE ENGINEER. ONCE THE CONTRACTOR BEGINS WORK IN A WORK ZONE, A CONTINUOUS OPERATION SHALL BE MAINTAINED UNTIL THE DIFFERENCE IN ELEVATION IS ELIMINATED. SIMULTANEOUS WORK ON SEPARATE ROADWAYS OF DIVIDED HIGHWAYS WILL BE CONSIDERED INDEPENDENTLY IN REGARD TO RESTRICTION OF WORK ZONE ACTIVITY.

## 3. DIFFERENCES IN ELEVATION BETWEEN ADJACENT ROADWAY ELEMENTS GREATER THAN 6 INCHES BUT NOT EXCEEDING 18 INCHES, THE CONTRACTOR, WITH THE ENGINEER'S APPROVAL, MAY UTILIZE ONE OF THE FOLLOWING:

- a. THE CONTRACTOR SHALL ACCOMPLISH SEPARATION BY DRUMS, BARRICADES OR OTHER APPROVED DEVICES IN ACCORDANCE WITH THE FOLLOWING:
  - (1) WHERE POSTED SPEEDS ARE 50 MPH OR GREATER, SPACING OF THE PROTECTIVE DEVICES SHALL NOT EXCEED 100 FEET.
  - (2) WHERE POSTED SPEEDS ARE LESS THAN 50 MPH, THE MAXIMUM SPACING OF THE PROTECTIVE DEVICES IN FEET SHALL NOT EXCEED TWICE THE POSTED SPEED IN MILES PER HOUR OR 50 FEET, WHICHEVER SPACING IS GREATER.

IN ORDER TO USE THIS METHOD, THE CONTRACTOR MUST REDUCE THE DIFFERENCE IN ELEVATION TO 6 INCHES OR LESS BY THE END OF THE WORKDAY THAT THE CONDITION IS CREATED.

- b. THE CONTRACTOR SHALL PROVIDE DRUMS, BARRICADES OR OTHER APPROVED SEPARATION DEVICES AS SPECIFIED IN PARAGRAPH a, AND CONSTRUCT A STONE WEDGE WITH A 4:1 SLOPE, OR FLATTER, TO ELIMINATE THE VERTICAL OFFSET IF THE LOWER ELEVATION IS AT OR BELOW SUBGRADE AT THE END OF EACH DAY.
- c. THE CONTRACTOR SHALL PROVIDE DRUMS, BARRICADES OR OTHER APPROVED SEPARATION DEVICES AS SPECIFIED IN PARAGRAPH a AND IF THE LOWER ELEVATION IS BASE STONE OR ASPHALT PAVEMENT, PLACEMENT OF SUBSEQUENT LAYERS OF PAVEMENT MUST BEGIN THE NEXT WORK DAY AND PROGRESS CONTINUOUSLY UNTIL THE DIFFERENCE IN ELEVATION IS ELIMINATED OR REDUCED TO 6 INCHES OR LESS.
- d. THE CONTRACTOR SHALL PROVIDE SEPARATION BY PORTABLE BARRIER RAIL.

FOR PRECEDING CONDITIONS a, b, AND c, THE CONTRACTOR SHALL USE THE SHOULDER DROP-OFF WARNING SIGN WITH PLAQUE (W8-17 AND W8-17P). IT SHALL BE PLACED IN ADVANCE OF AND THROUGHOUT THE EXPOSED AREA. MAXIMUM SPACING BETWEEN THE SIGNS SHALL BE 2,000 FEET WITH A MINIMUM OF 2 SIGNS PER EXPOSED AREA. IN THESE SITUATIONS, THE CONTRACTOR SHALL LIMIT HIS OPERATIONS TO ONE WORK ZONE NOT EXCEEDING 1 MILE IN LENGTH UNLESS OTHERWISE NOTED ON THE PLANS OR APPROVED BY THE ENGINEER. ONCE THE CONTRACTOR BEGINS WORK IN A WORK ZONE, A CONTINUOUS OPERATION SHALL BE MAINTAINED UNTIL THE DIFFERENCE IS ELIMINATED. SIMULTANEOUS WORK ON SEPARATE ROADWAYS OF DIVIDED HIGHWAYS WILL BE CONSIDERED INDEPENDENTLY IN REGARD TO RESTRICTION OF WORK ZONE ACTIVITY.

## 4. FOR DIFFERENCES IN ELEVATION BETWEEN ADJACENT ROADWAY ELEMENTS GREATER THAN 18 INCHES.

SEPARATION WILL BE PROVIDED BY USE OF PORTABLE BARRIER RAIL.

IN THIS SITUATION THE CONTRACTOR SHALL LIMIT HIS OPERATIONS TO ONE WORK ZONE NOT EXCEEDING 1 MILE IN LENGTH UNLESS OTHERWISE NOTED ON THE PLANS OR APPROVED BY THE ENGINEER. ONCE THE CONTRACTOR BEGINS WORK IN A WORK ZONE, A CONTINUOUS OPERATION SHALL BE MAINTAINED UNTIL THE DIFFERENCE IN ELEVATION IS ELIMINATED. SIMULTANEOUS WORK ON SEPARATE ROADWAYS OF DIVIDED HIGHWAYS WILL BE CONSIDERED INDEPENDENTLY IN REGARD TO RESTRICTION OF WORK ZONE ACTIVITY.

## B. IF THE DIFFERENCE IN ELEVATION IS WITHIN 30 FEET OF THE NEAREST TRAFFIC LANE BEING USED BY TRAFFIC CAUSED BY GRADING, EXCAVATION FOR UTILITIES, DRAINAGE STRUCTURES, RESURFACING, ETC.:

1. IF THE DIFFERENCE IN ELEVATION IS WITHIN 8 FEET OF THE NEAREST TRAFFIC LANE WITH DIFFERENCE IN ELEVATION GREATER THAN 0.75 INCH AND NOT EXCEEDING 2 INCHES.
  - a. WARNING SIGNS (UNEVEN LANES AND/OR SHOULDER DROP-OFF) SHALL BE PLACED IN ADVANCE OF AND THROUGHOUT THE EXPOSED AREA. MAXIMUM SPACING BETWEEN SIGNS SHALL BE 2,000 FEET WITH A MINIMUM OF 2 SIGNS PER EXPOSED AREA. WHERE UNEVEN PAVEMENT IS ENCOUNTERED, SIGNS SHALL BE PLACED ON EACH SIDE OF THE ROADWAY.
2. IF THE DIFFERENCE IN ELEVATION IS WITHIN 8 FEET OF THE NEAREST TRAFFIC LANE WITH DIFFERENCE IN ELEVATION GREATER THAN 2 INCHES AND NOT EXCEEDING 6 INCHES:
  - a. SEPARATION SHALL BE ACCOMPLISHED BY DRUMS, BARRICADES OR OTHER APPROVED DEVICES IN ACCORDANCE WITH THE FOLLOWING:
    - (1) WHERE POSTED SPEEDS ARE 50 MPH OR GREATER, SPACING OF THE PROTECTIVE DEVICES SHALL NOT EXCEED 100 FEET.
    - (2) WHERE POSTED SPEEDS ARE LESS THAN 50 MPH THE MAXIMUM SPACING OF THE PROTECTIVE DEVICES IN FEET SHALL NOT EXCEED TWICE THE POSTED SPEED IN MILES PER HOUR OR 50 FEET, WHICHEVER SPACING IS GREATER.
3. IF THE DIFFERENCE IN ELEVATION IS WITHIN 8 FEET OF THE NEAREST TRAFFIC LANE WITH DIFFERENCE IN ELEVATION GREATER THAN 6 INCHES:
  - a. SEPARATION SHALL BE ACCOMPLISHED BY DRUMS, BARRICADES OR OTHER APPROVED DEVICES IN ACCORDANCE WITH THE FOLLOWING:
    - (1) WHERE POSTED SPEEDS ARE 50 MPH OR GREATER, SPACING OF THE PROTECTIVE DEVICES SHALL NOT EXCEED 100 FEET.
    - (2) WHERE POSTED SPEEDS ARE LESS THAN 50 MPH THE MAXIMUM SPACING OF THE PROTECTIVE DEVICES IN FEET SHALL NOT EXCEED TWICE THE POSTED SPEED IN MILES PER HOUR OR 50 FEET, WHICHEVER SPACING IS GREATER.
  - b. ELIMINATE VERTICAL OFFSET BY CONSTRUCTING A STONE WEDGE OR GRADING TO A 4:1 SLOPE, OR FLATTER, OR USE PORTABLE BARRIER RAIL.

THE CONTRACTOR SHALL SCHEDULE THE WORK SO AS TO MINIMIZE THE TIME TRAFFIC IS EXPOSED TO AN ELEVATION DIFFERENCE. ONCE THE CONTRACTOR BEGINS AN ACTIVITY THAT CREATES AN ELEVATION DIFFERENCE WITHIN 8 FEET OF A TRAFFIC LANE, THE ACTIVITY SHALL BE PURSUED AS A CONTINUOUS OPERATION UNTIL THE ELEVATION DIFFERENCE IS ELIMINATED.

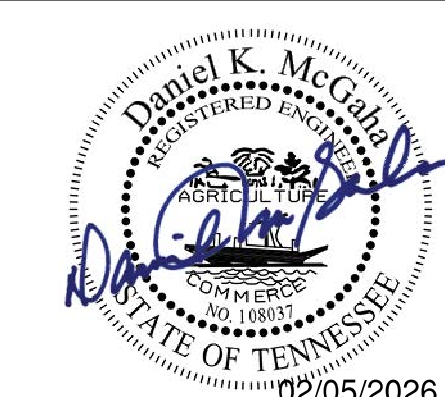
## C. IF THE DIFFERENCE IN ELEVATION IS FARTHER THAN 8 FEET FROM THE NEAREST TRAFFIC LANE BUT NOT MORE THAN 30 FEET FROM THE NEAREST TRAFFIC LANE:

SEPARATION SHALL BE ACCOMPLISHED BY DRUMS, BARRICADES OR OTHER APPROVED DEVICES IN ACCORDANCE WITH THE FOLLOWING:

1. WHERE POSTED SPEEDS ARE 50 MPH OR GREATER, SPACING OF THE PROTECTIVE DEVICES SHALL NOT EXCEED 100 FEET.
2. WHERE POSTED SPEEDS ARE LESS THAN 50 MPH, THE MAXIMUM SPACING OF THE PROTECTIVE DEVICES IN FEET SHALL NOT EXCEED TWICE THE POSTED SPEED IN MILES PER HOUR OR 50 FEET, WHICHEVER SPACING IS GREATER.

THE CONTRACTOR SHALL SCHEDULE THE WORK SO AS TO MINIMIZE THE TIME TRAFFIC IS EXPOSED TO AN ELEVATION DIFFERENCE. ONCE THE CONTRACTOR BEGINS AN ACTIVITY THAT CREATES AN ELEVATION DIFFERENCE, THE ACTIVITY SHALL BE PURSUED AS A CONTINUOUS OPERATION UNTIL THE ELEVATION DIFFERENCE IS ELIMINATED.

SEALED BY



STATE OF TENNESSEE  
DEPARTMENT OF TRANSPORTATION

PAVEMENT EDGE  
DROP-OFF NOTES  
FOR  
TRAFFIC CONTROL